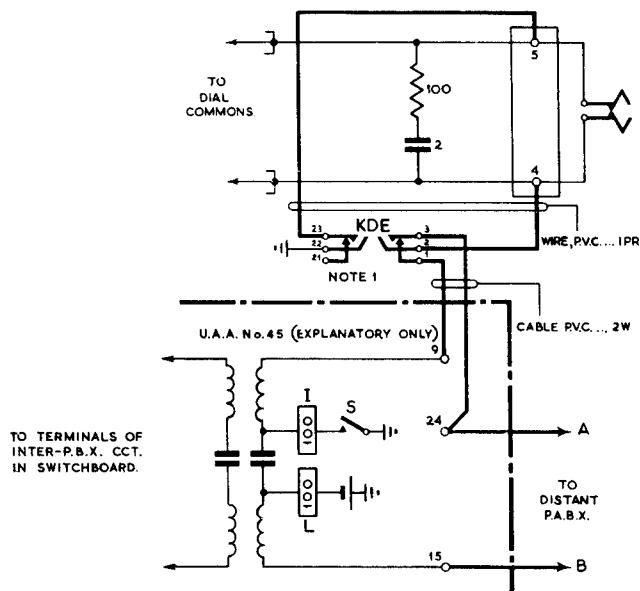


SWITCHBOARDS AT 3796 & N1070



WIRING INSTRUCTIONS

Provide key No. 194 in key mtg. as follows:-

65 line swbds: Key mtg. KP, above exch. line indicators.

180 line swbds:

(a) If night service keys are above exch. line indicators 1-10, then up to 7 keys may be fitted on the N/S key mtg. Where more than 7 keys are required, fit key mounting KAG in left hand jackfield by lowering cord, test jack strip and remove the spacing strip at top of jackfield.

(b) If night service keys are at the top of swbd, remove spacing strips at top of right hand jackfield, fit key mtg. KAG and fill gap above key mtg. with a spacing strip of approx. 5/8 in. height.

Provide wire P.V.C. - 1 pr. from 4 & 5 of part No. 10/SST/60 (Dgm. N1093 Fig.3) to KDE 2 and KDE 23 respectively.

Provide cable P.V.C. - 2 W from KDE 1 and KDE 3 to terminals 9 & 24 of U.A.A. No. 45 respectively.

Cable terminals 24 & 15 of unit to line.

NOTES.

- The operator should be instructed to leave the cord circuit dial key in the normal position when dialling into the P.A.B.X.
- To provide exch. line prohibition using a U.A.A. No. 45 transfer wiring from tms. 9 & 15 to 11 & 13 respectively.

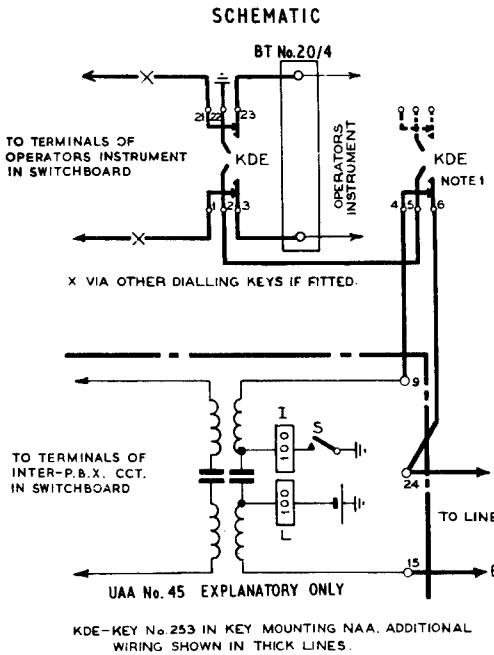
P.O.T.D.D.			
T.D. 1.5.2.			
PAPER: W CIRCULATION GENERAL	ISSUES		
		B	New format. <i>FLR</i> 4-4-68
		A	Wiring instructions amended. 17-4-61
			S1/2 P.A. Marchant. 2-7-54.

DIALLING OVER INTER-P.B.X. CIRCUITS.

EARTH DIALLING FROM NON-MULTIPLE P.M.B.X. INTO STANDARD P.A.B.X.'s

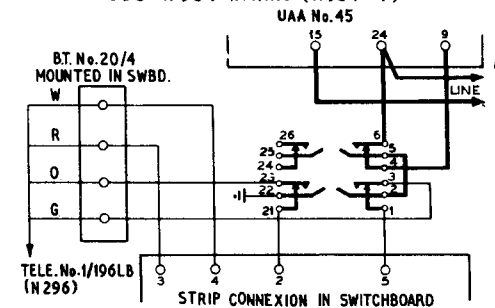
SUPERSEDES N975 AND
N976 FOR NEW WORK

SWITCHBOARDS CBS N934 & CB 935

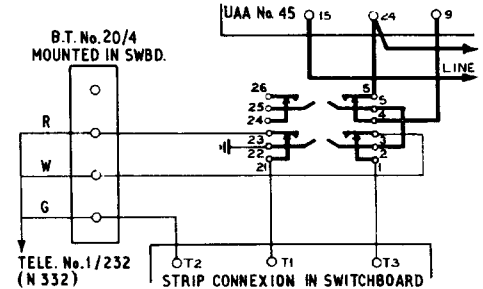


SCHEMATIC

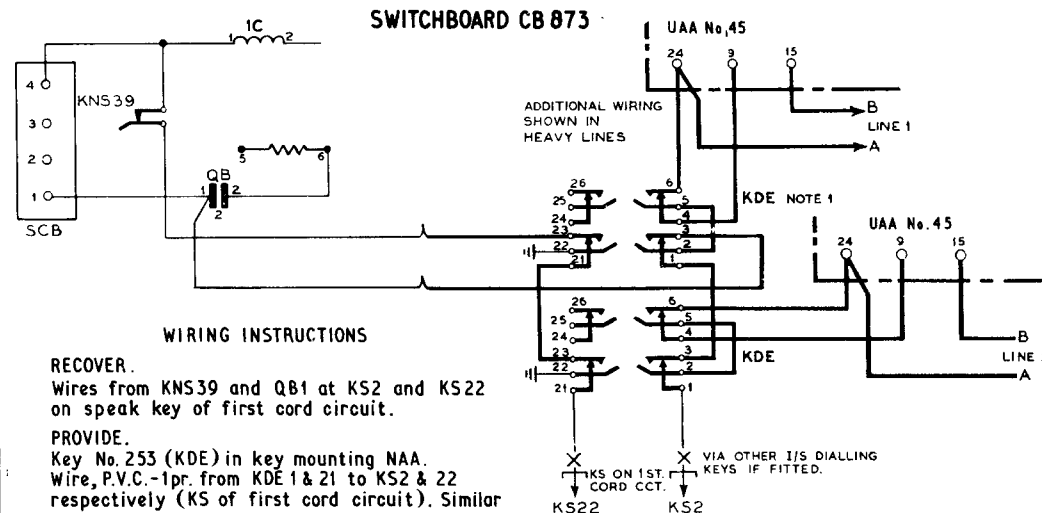
CBS N934 WIRING (N934-4)



CB 935 WIRING (N935-4)



SWITCHBOARD CB 873



WIRING INSTRUCTIONS

RECOVER.

Wires from KNS39 and QB1 at KS2 and KS22 on speak key of first cord circuit.

PROVIDE.

Key No. 253 (KDE) in key mounting NAA. Wire, P.V.C. - 1pr. from KDE 1 & 21 to KS2 & 22 respectively (KS of first cord circuit). Similar wiring from KDE 3 & 23 to wires recovered from KS. Solder and sleeve the joints. Cable from KDE 4 & 6 to terminals 9 & 24 respectively in UAA No. 45. Cable from terminals 24 & 15 in UAA No. 45 to dis. case.