

TELEPHONE No.772 AND No.772K

PRESS BUTTON TELEPHONES WITH 10 PPS SIGNALLING INCORPORATING A 10 ADDRESS REPERTORY DIALLER

TELEPHONE No.722 WITH PROVISION FOR 1-2 PRESS BUTTONS

TELEPHONE No.722K CALL PERMITTING VERSION WITH PROVISION FOR 1-2 PRESS BUTTONS



NOTE 1-2
TELEPHONE No.772K
CALL PERMITTING LOCK

REFERENCES:

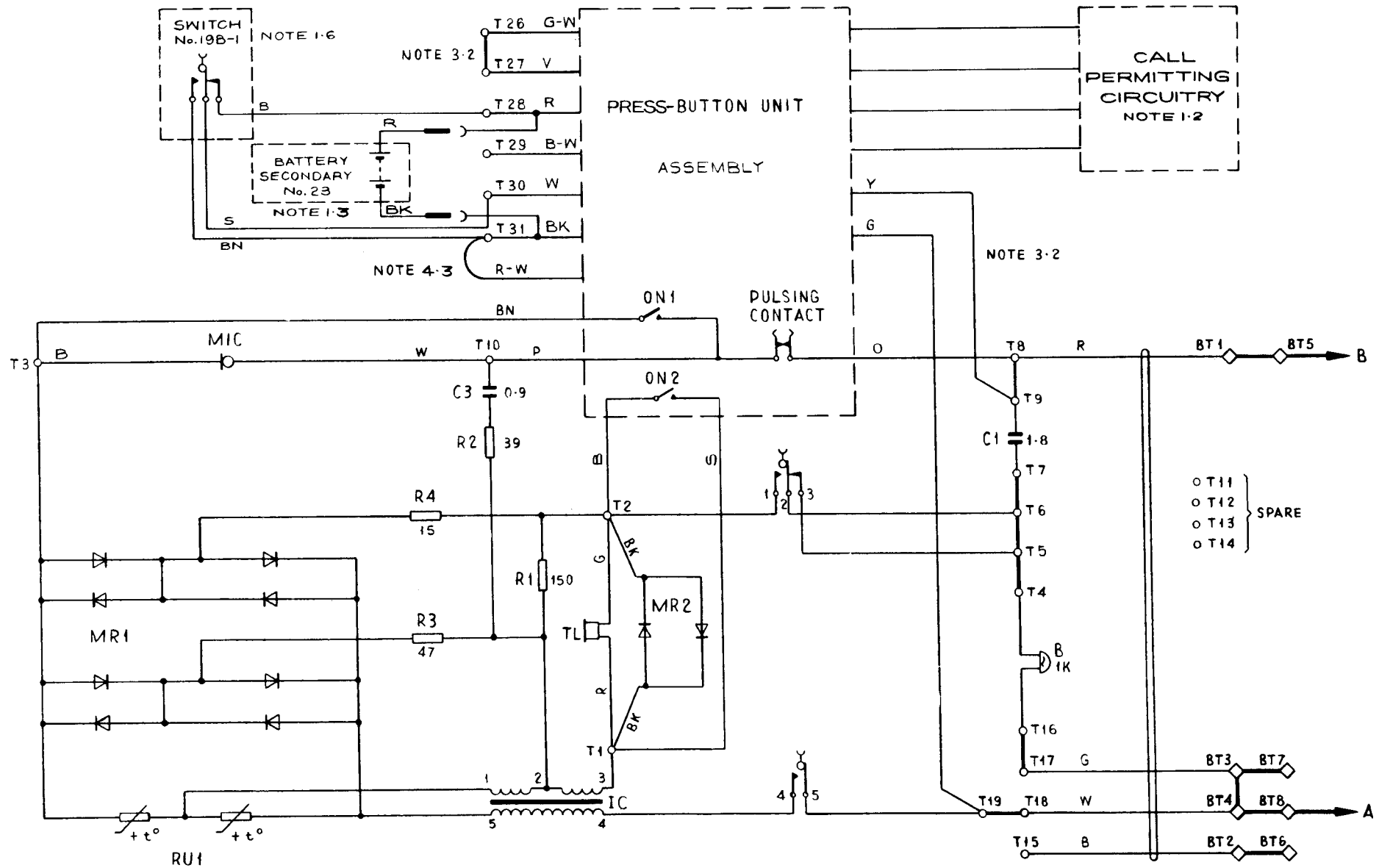
FACILITIES	TI B4 M0061
INSTALLATION	TI C3 B3027
MAINTENANCE	TI E5 B2760
TELEPHONE No.746	DGM N846
AUXILIARY UNITS	{ DGM N848 DGM N4700

NOTES:-

- 1-1 TELEPHONE No.772 CONTAINS AN ELECTRONIC CIRCUIT IN PLACE OF THE DIAL WHICH IS POWERED FROM A BATTERY CONTAINED WITHIN THE TELEPHONE. THE BATTERY MAY BE RECHARGED FROM LINE CURRENT OR A POWER UNIT, SEE NOTES 3-1 TO 3-10. IN ADDITION TO PROVIDING LOOP DISCONNECT SIGNALLING THE CIRCUIT ALSO PROVIDES REDIAL AND REPERTORY DIAL FACILITIES FOR UP TO 10 NUMBERS.
- 1-2 TELEPHONE No.772K CONTAINS AN ELECTRONIC CCT AS DESCRIBED IN NOTE 1-1. IN ADDITION A KEY OPERATED LOCK IS FITTED. IN THE NORMAL POSITION 'I' THE TELEPHONE CAN BE USED IN THE SAME WAY AS TELEPHONE No.772. IN THE LOCKED POSITION 'O' THE REPERTORY DIAL FACILITY IS USED TO ORIGINATE A CALL; AFTER THE CONTENTS OF A STORE HAVE BEEN SENT TO LINE ADDITIONAL DIGITS CAN BE KEYED.
- 1-3 THE BATTERY IS NOT SUPPLIED WITH THE TELEPHONE AND MUST BE REQUISITIONED SEPARATELY AS FOLLOWS:
'BATTERY SECONDARY No.23 BLUE'
THE BATTERY MUST BE REMOVED WHEN RECOVERING THE TELEPHONE.
- 1-4 TELEPHONES No.772 AND 772K ARE SIMILAR TO THE TELEPHONE No.746 AND MAY BE FITTED IN ACCORDANCE WITH DGM N846 AND 700 TYPE TELEPHONE PLAN DGMS.
- 1-5 THESE TELEPHONES WILL ACCOMMODATE THE RANGE OF AUXILIARY PARTS FOR THE TELEPHONE No.746 (SEE DGMS N846 AND N4700) WITH THE FOLLOWING EXCEPTIONS:-
 - a A MAXIMUM OF 2 AUXILIARY GRAVITY SWITCHES MAY BE PROVIDED, SEE NOTE 1-6.
 - b A MAXIMUM OF 6 ADDITIONAL TERMINALS MAY BE PROVIDED FOR TELEPHONE No.772, i.e. 1 PART 2/DST/836. NO ADDITIONAL TERMINALS CAN BE FITTED TO TELEPHONE No.772K.
 - c LAMP SIGNALLING UNITS No.1 AND 2 CANNOT BE PROVIDED.
- 1-6 THE TELEPHONES ARE ISSUED WITH AN AUXILIARY GRAVITY SWITCH (SWITCH No.19B-1) CONNECTED TO CONTROL THE PUSH-BUTTON UNIT. WHERE AN EXTENSION PLAN REQUIRES 1 OR 2 AUXILIARY GRAVITY SWITCHES, THE EXISTING SWITCH SHOULD BE REPLACED BY A SWITCH No.19C-1 OR No.19D-1. SITUATIONS REQUIRING 3 AUXILIARY GRAVITY SWITCHES CANNOT BE PROVIDED.

TELECOMMS IQRS OPER:- W DISTRIBUTION:- GENERAL	ISSUE		
	C	PAGES 1, 3 AND 4 REDRAWN. TELEPHONE No.772K ADDED. NOTES REWRITTEN. TABLE 1 WAS TABLES 1 AND 2, TABLE 2 WAS TABLE 3, TABLE 3 WAS TABLE 4. MINOR AMENDMENTS I.F.J. BX CCH ME/PD 1-1	18.9.81

FIG. 1 CONNEXIONS AS ISSUED



NOTES :-

CHARGING

- 3.1 TABLE 2 IN ASSOCIATION WITH TABLE 3 SHOWS THE METHOD OF BATTERY CHARGING THAT SHOULD BE USED IN A PARTICULAR SITUATION. FOR ANY SITUATION NOT COVERED BY TABLE 2, CHARGE FROM POWER-UNIT No.53 USING METHOD D.
- 3.2 THE TELEPHONE IS ISSUED WITH THE CHARGING CIRCUIT CONNECTED FOR LINE CHARGING, METHOD A. FOR OTHER CHARGING METHODS RELOCATE STRAP (T26-T27), YELLOW WIRE (T9) AND GREEN WIRE (T19) AS INDICATED IN TABLE 3
- 3.3 DIRECT LINES AND EXTENSIONS - ONLY ONE BATTERY MAY BE CHARGED FROM LINE CURRENT (METHOD A OR B). WHERE ADDITIONAL BATTERY POWERED TELEPHONES (e.g. TELEPHONES No.764,772) ARE REQUIRED POWER UNIT CHARGING MUST BE USED (METHOD D) FOR THE ADDITIONAL TELEPHONES.
- 3.4 SHARED SERVICE LINES - WHERE SHARED SERVICE IS PROVIDED BY TXE2, TXE4 AND 50 POINT LINE FINDERS, LINE CHARGING IS LIMITED TO ONE PARTY ONLY. ON ALL OTHER SYSTEMS EACH PARTY MAY LINE CHARGE ONE BATTERY.
- 3.5 WHERE POWER-UNIT CHARGING (METHOD D) IS USED REMOVE THE YELLOW AND GREEN WIRES FROM T9, T19 AND CONNECT THEM TO TWO SPARE TERMINALS. SPARE CORD CONDUCTORS AND BT TERMINALS SHOULD BE USED TO CONNECT THE POWER-UNIT. IN SOME SITUATIONS IT MAY BE NECESSARY TO FIT A LARGER CORD THAN SPECIFIED BY THE PLAN DIAGRAM PARTS LIST.
- 3.6 WHERE THE TELEPHONE IS ASSOCIATED WITH APPARATUS THAT REQUIRES A 10V OR 50V POWER-UNIT (e.g. PLANSET 625, KEY AND LAMP UNIT OR DATEL MODEM) THE BATTERY MAY BE CHARGED FROM THAT POWER-UNIT USING METHOD D.
- 3.7 A MAXIMUM OF 80 BATTERIES MAY BE CHARGED FROM A SINGLE POWER-UNIT No.53A. HOWEVER IT IS RECOMMENDED THAT NO MORE THAN 10 BATTERIES BE CHARGED FROM A SINGLE FUSED OUTPUT.
- 3.8 EXTENSION PLAN 4 - ONLY ONE PORTABLE BATTERY POWERED INSTRUMENT IS PERMISSIBLE. TO ENSURE THAT THE BATTERY IS CHARGED, THE TELEPHONE MUST NOT BE REMOVED FROM A SOCKET FOR MORE THAN A FEW HOURS. POWER UNIT CHARGING IS NOT POSSIBLE.
- 3.9 IN SITUATIONS WHERE THE TELEPHONE IS SUBJECT TO HIGH USAGE (IN EXCESS OF 80 CALLS PER DAY) POWER-UNIT CHARGING (METHOD D) IS RECOMMENDED.
- 3.10 TELEPHONE No.722K - IN ALL CASES THIS TELEPHONE MUST HAVE POWER-UNIT CHARGING, (METHOD D).

NOTES:-

FACILITIES AND OPERATION

- 4.1 GROUP TRANSFER-TELEPHONES No.772 AND No.772K CANNOT BE USED TO SET UP SUBSCRIBERS GROUP TRANSFER, EXCEPT ON TXE2 AND TXK3 EXCHANGES WHERE TRANSFER EQUIPMENT AT THE CUSTOMERS PREMISES IS NOT REQUIRED.
- 4.2 KEY LOCK-THE TELEPHONE No.772K INCLUDES A KEY OPERATED LOCK AND 2 KEYS TO MAKE THE TELEPHONE 'CALL PERMITTING' WHEN THE LOCK IS IN THE LOCKED, i.e. '0' POSITION. THIS DOES NOT DISABLE THE KEYPAD COMPLETELY BUT ALLOWS EXTRA DIGITS TO BE KEYED MANUALLY AFTER THE CONTENTS OF ANY OF THE STORES HAS BEEN SENT TO LINE. CONSEQUENTLY ALL THE AVAILABLE STORES MUST BE PROGRAMMED TO AVOID THE TELEPHONE BEING USED TO MANUALLY KEY A NUMBER WHEN IN THE 'CALL PERMITTING' STATE.
- 4.3 PABX ACCESS DIGIT STORE-BOTH OF THESE TELEPHONES CAN BE PROGRAMMED WITH A SINGLE ACCESS DIGIT FOR USE ON PABX'S IF REQUIRED. TO PROVIDE THIS FACILITY MOVE R-W WIRE FROM T31 TO T28. THIS FACILITY IS LIMITED TO ONE ACCESS DIGIT ONLY. IF THE CUSTOMER WISHES TO STORE NUMBERS WHICH REQUIRE MORE THAN ONE ACCESS DIGIT, e.g. INTER PBX AND PUBLIC EXCHANGE ACCESS, OR EXTENSIONS ON THE SERVING PABX, THE FACILITY SHOULD NOT BE PROVIDED.
- 4.4 OPERATING AND TEST PROCEDURE-THE PROCEDURE IN TABLE I SHOULD BE USED TO CHECK THAT THE TELEPHONE IS FUNCTIONING CORRECTLY.
- a EXTENSION NUMBERS CANNOT BE PROGRAMMED OR REPEATED IF AN ACCESS DIGIT HAS BEEN PROGRAMMED.
- b IN TABLE I THE FOLLOWING ABBREVIATIONS HAVE BEEN USED:-
T - BUTTON T DEPRESSED AND RELEASED.
P - BUTTON P DEPRESSED CONTINUOUSLY WHILE OTHER BUTTONS SIGNIFIED UNDER THE 'BAR' ARE DEPRESSED (THE OTHER BUTTONS NEED NOT BE CONTINUOUSLY DEPRESSED). THIS PROVIDES A MEASURE OF SECURITY AGAINST ACCIDENTAL PROGRAMMING OR ERASURE OF A STORE.

- W-CUSTOMER PAUSES AND WAITS FOR DIAL TONE BEFORE RECOMMENCING.
TN-TELEPHONE NUMBER.
AD-ACCESS DIGIT.
EN-EXTENSION NUMBER.
D-STORE LOCATION D IN THE RANGE 1 TO 0.
c OPERATIONS 3 AND 4 MUST BE PERFORMED WITH HANDSET OFF THE REST.
d SOME PBX'S DO NOT RETURN DIAL TONE. HENCE NO PAUSE IS REQUIRED AND THE TELEPHONE IS TREATED AS IF IT IS A NON PBX INSTALLATION HAVING ALL EXTERNAL CALLS PREFIXED BY THE REQUIRED ACCESS DIGIT. THE ACCESS DIGIT BEING STORED AS PART OF TELEPHONE NUMBER AND NOT PROGRAMMED AS IN NOTE 4.3.

TABLE I NOTE 4.4b	KEYING SEQUENCE TELEPHONE No.772 AND No.772K NORMAL KEY POSITION '1'			KEYING SEQUENCE TELEPHONE No.772K CALL PERMITTING KEY POSITION '0'		
	INSTALLATION TYPE			INSTALLATION TYPE		
	NON PABX AND NOTE 4.4d	PABX W/O AD PROGRAMMED	PABX WITH AD PROGRAMMED	NON PABX AND NOTE 4.4d	PABX W/O AD PROGRAMMED	PABX WITH AD PROGRAMMED
OPERATION						
1 USE AS A PRESS BUTTON TELEPHONE	TN	AD.W.TN	AD.W.TN	BARRED	BARRED	BARRED
2 USE TO CALL AN INTERNAL PABX EXTN	—	EN	EN	—	BARRED	BARRED
3 PROGRAMMING i ACCESS DIGIT ii A TELEPHONE No. IN STORE D	—	—	<u>P.T.</u> AD	STORES MAY ONLY BE PROGRAMMED AND ERASED WHEN IN THE NORMAL POSITION (KEY POSITION '1')		
	<u>P.D.</u> TN	<u>P.D.</u> TN	<u>P.D.</u> TN			
4 ERASURE i ACCESS DIGIT ii A TELEPHONE No. IN STORE D	—	—	<u>P.T</u>			
	<u>P.D</u>	<u>P.D</u>	<u>P.D</u>			
5 USING REPERTORY DIALLER TO i SEND TELEPHONE No.IN STORE D ii SEND EXTENSION No.IN STORE D	T.D	AD.W.T.D	T.W.D	T.D	BARRED	T.W.D
	—	T.D	—	—	T.D	—
6 REPEAT LAST No. DIALLED	T.T	AD.W.T.T	T.W.T	BARRED	BARRED	BARRED

INSTALLATION		NOTE	LINE CONDITIONS						
1ST BATTERY KEYPHONE	SINGLE STATION		A	B	A	D	-	-	-
	PLAN 1A LAST EXTN			C					
	PLAN 1A OTHER STN			B					
	PLAN 4	3-8		B					
	PLAN 105/105 A	3-6	D						
	PLAN 107/107 A	3-6	D						
	KEY & LAMP UNIT	3-6	D	-	-	D	-	-	-
	2/... OPERATORS TELE		-	-	-	-	D	-	-
	SUBS CONT TRANSFER	4-1	D	-	-	D	-	-	-
	PABX / DIRECT EXCH N.S.		-	-	-	B	-	-	-
ADDITIONAL BATTERY KEYPHONES			D						

TABLE 2 BATTERY CHARGING METHOD NOTE 3-1

CHARGING METHOD	NOTE	CHARGING CIRCUIT CONNEXIONS		
		STRAP	YELLOW	GREEN
A	FROM LINE	T26-T27	T9	T19
B	FROM A-LEG TO EARTH			T15
C				T17
D	10 VOLT P.U.	3-5	T27-T28	TO POWER UNIT VIA SPARE TERMINALS
	50 VOLT P.U.	3-5		

NOTE-METHOD D- CHOOSE WHICHEVER VOLTAGE P.U. IS MOST CONVENIENT

TABLE 3 CHARGING CIRCUIT CONNEXIONS
NOTE 3-2