



GENERAL INFORMATION

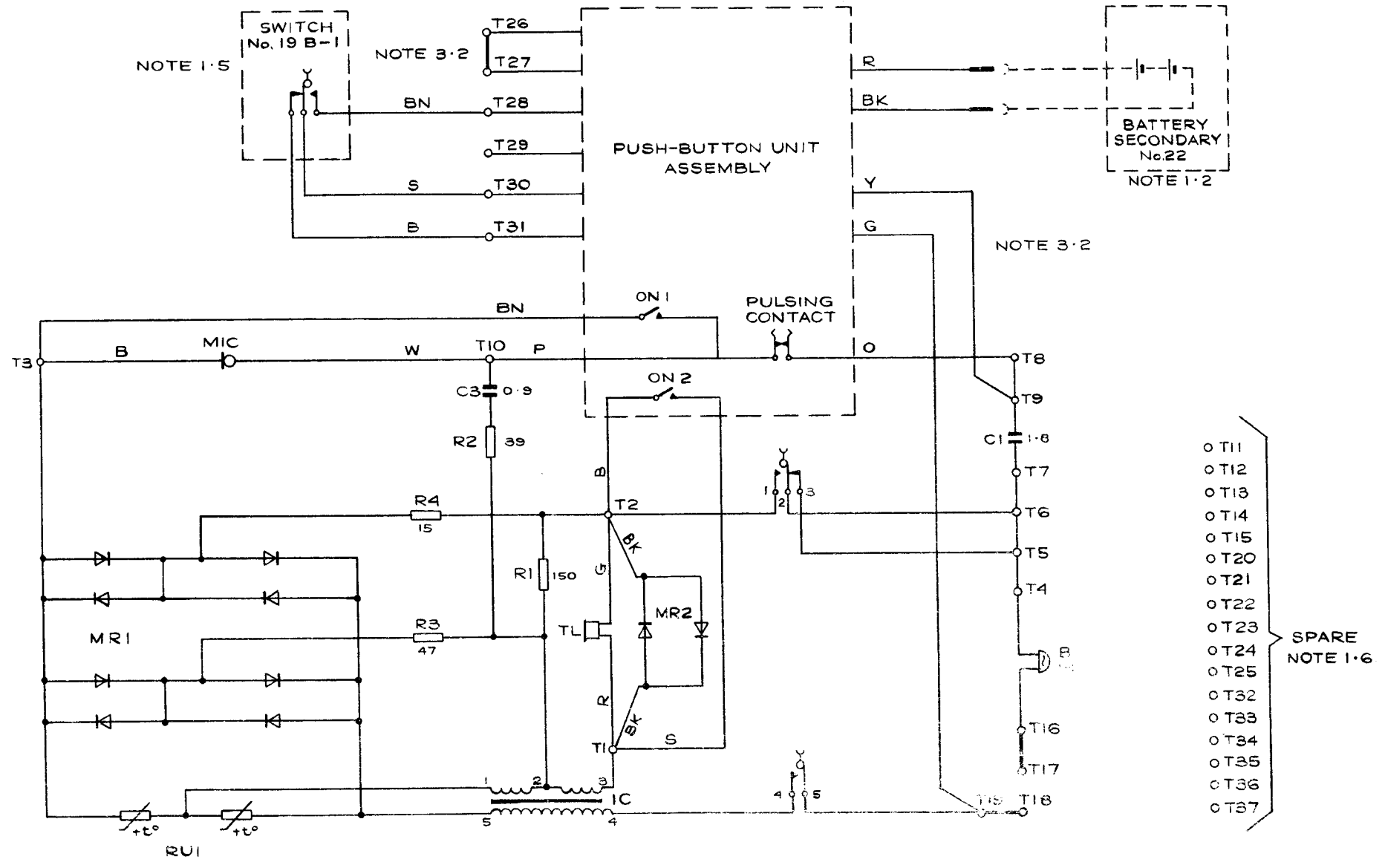
- 1.1 THIS TELEPHONE CONTAINS AN ELECTRONIC CIRCUIT IN PLACE OF THE DIAL WHICH IS POWERED FROM A BATTERY CONTAINED WITHIN THE TELEPHONE. THE BATTERY MAY BE RECHARGED FROM LINE CURRENT OR A POWER UNIT, SEE NOTE 3.1
- 1.2 THE BATTERY IS NOT SUPPLIED WITH THE TELEPHONE AND MUST BE REQUISITIONED SEPARATELY AS FOLLOWS :-
 TELEPHONE No. 768 BATTERY SECONDARY No. 22 BATTERY COLOUR RED
 REMOVE THE BATTERY WHEN RECOVERING THE TELEPHONE
- 1.3 THE TELEPHONE No 768 IS SIMILAR TO THE TELEPHONE No 740 AND MAY BE FITTED IN ACCORDANCE WITH DIAGRAM N840 AND 700 TYPE TELEPHONE PLAN DIAGRAMS
- 1.4 THE TELEPHONE WILL ACCOMODATE THE RANGE OF AUXILIARY PARTS FOR THE TELEPHONE No. 740 (SEE DIAGRAMS N848, N4700) WITH THE FOLLOWING EXCEPTIONS :-
 (a) A MAXIMUM OF 2 AUXILIARY GRAVITY SWITCHES MAY BE PROVIDED, SEE NOTE 1.5
 (b) A MAXIMUM OF 12 ADDITIONAL TERMINALS ARE PROVIDED, SEE NOTE 1.6.
 (c) LAMP SIGNALLING UNITS Nos 1 AND 2 CANNOT BE PROVIDED
- 1.5 THE TELEPHONE IS ISSUED WITH AN AUXILIARY GRAVITY SWITCH (SWITCH No 19B-1) CONNECTED TO CONTROL THE PUSH-BUTTON UNIT. WHERE AN EXTENSION PLAN REQUIRES 1 OR 2 AUXILIARY GRAVITY SWITCHES, THE EXISTING SWITCH SHOULD BE REPLACED BY A SWITCH NO. 19D-1 OR 19C-1 RESPECTIVELY. SITUATIONS REQUIRING 3 AUXILIARY GRAVITY SWITCHES CANNOT BE PROVIDED.
- 1.6 THE TELEPHONE IS ISSUED WITH STRIP CONNEXION NO. 155 FITTED. THE BATTERY CHARGING CIRCUIT IS CONNECTED TO TERMINALS T26 TO T31. TERMINALS T20 TO T25 AND T32 TO T37 ARE SPARE

REFERENCES :-

FACILITIES	-----	TI B4 B 0145
INSTALLATION	-----	TI C3 B 3028
MAINTENANCE	-----	TI E5 B 2828
TELEPHONE No.740	-----	DGM N 840
AUXILIARY UNITS	-----	{ DGM N 848
		{ DGM N 4700

PO TELECOMMS HQRS	ISSUE		
PAPER: W			
DISTN: GENERAL		20-1-78	
		TD7, I. I.	

FIG.1 CONNEXIONS AS ISSUED



- 3.1 TABLE 1 in association with TABLE 2 shows the method of battery charging that should be used for a particular situation. For any situation not covered by TABLE 1, charge from a Power-Unit No. 53 using method B.
- 3.2 The telephone is issued with the charging circuit connected for line charging method A. For other charging methods relocate strap (between T26-T27) and the yellow and green wires (connected to T9, T19) as indicated by TABLE 2.
- 3.3 DIRECT LINES AND EXTENSIONS - Only one battery may be charged from line current (method A or D). Where additional battery powered telephones (eg Telephones Nos. 764, 772) are required, power-unit charging must be used (method B or C) for the additional telephones.
- 3.4 SHARED SERVICE LINES - Where shared service is provided by TXE2, TXE4 and 50 point line finders, line charging is limited to one party only. On all other systems each party may line charge one battery.
- 3.5 Where power-unit charging (method B or C) is used, remove the yellow and green wires from terminal T9, T19 and connect them to two spare telephone terminals.
- Spare cord conductors and BT terminals should be used to connect to the power-unit. In some situations it may be necessary to fit a larger cord or BT than specified by the plan diagram parts list.
- 3.6 Where the telephone is associated with apparatus that requires a 10V or 50V power unit (eg Planset N625 or Key and Lamp Unit) the battery may be charged from that power-unit using method B or C as appropriate.
- 3.7 A maximum of 80 batteries may be charged from a single Power-Unit No. 53A. However, it is recommended that no more than 10 batteries be charged from a single fused output.
- 3.8 Extension Plan 4 - Only one portable battery powered instrument is permissible. To ensure the battery is charged, the telephone must not be removed from a socket for more than a few hours. Power-unit charging is not possible.
- 3.9 Telephone No. 769 cannot be used to set-up subscribers controlled group transfer.
- 3.10 In situations where the telephone is subject to high usage (in excess of 80 calls per day) power-unit charging (method B or C) is recommended.

		LINE CONDITIONS							
		DIRECT LINE	SHARED SERVICE	SHARED SERVICE-TXE 2, TXE 4	50PT. LINE FINDER	PABX EXTENSION - OTHER SYSTEMS	PMBX EXTENSION - 50v	SUBS CARRIER WB 900	
		INSTALLATION	NOTE						
1ST BATTERY KEYPHONE	SINGLE STATION			A	A	D	A	B	B
	PLAN 1A LAST EXTN			A	A	E	A	B	B
	PLAN 1A OTHER EXTN			A	A	D	A	B	B
	PLAN 4	3-8		A	A	D	A	—	—
	PLAN 105/105A	3-6		B	B	B	B	B	B
	PLAN 107/107A	3-6		B	B	B	B	B	B
	KEY & LAMP UNIT	3-6		C	—	—	C	—	—
	2/... OPERATORS TELE			—	—	—	—	C	—
	PABX 1 DIRECT EXCH N.S.			—	—	—	D	—	—
SUB CONT TRANSFER	3-9		B	—	—	B	—	—	
ADDITIONAL BATTERY KEYPHONES		B (OR C IF MORE CONVENIENT)							

TABLE 1 BATTERY CHARGING METHOD (NOTE 3-1)

CHARGING METHOD		NOTE	CHARGING CIRCUIT CONNEXIONS		
			STRAP	YELLOW	GREEN
A	FROM LINE		T26-T27	T9	T19
B	FROM 10v PU	3-5	T27-T28	SPARE TERMINALS TO POWER-UNIT	
C	FROM 50v PU	3-5	T28-T29		
D	FROM LINE		T26-T27	T9	T15
E	FROM LINE		T26-T27	T9	T17

TABLE 2 CHARGING CIRCUIT CONNEXIONS (NOTE 3-2)