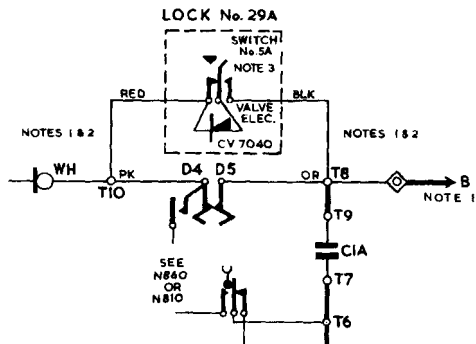
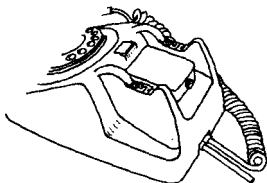


CIRCULATION	SPECIAL
	SUFFIX
AMENDY.	
PALMER	R

LOCK No. 29A
 OPTIONAL TRUNK BARRING: 700 -TYPE TELEPHONES

N860
 28-11-61



NOTES:-

1. FOR CORRECT POLARITY OF CV 7040 BLACK LEAD OF LOCK MUST BE CONNECTED TO B - WIRE
2. IN TELES 706 AND 710 CONNECT BLACK TO T8 AND RED TO T10
 IN TELE INTERCOM 3/IL CONNECT BLACK TO T9 AND RED TO T10.
3. SWITCH No. 5A IS OPERATED BY YALE MECHANICAL LOCK.
4. WORKS SPECN. 5(W) 2031 REFERS.