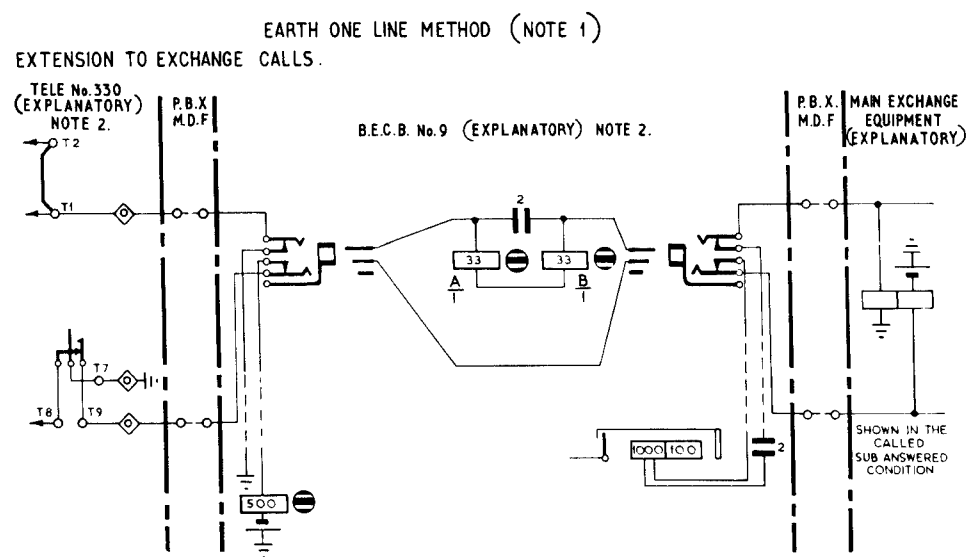
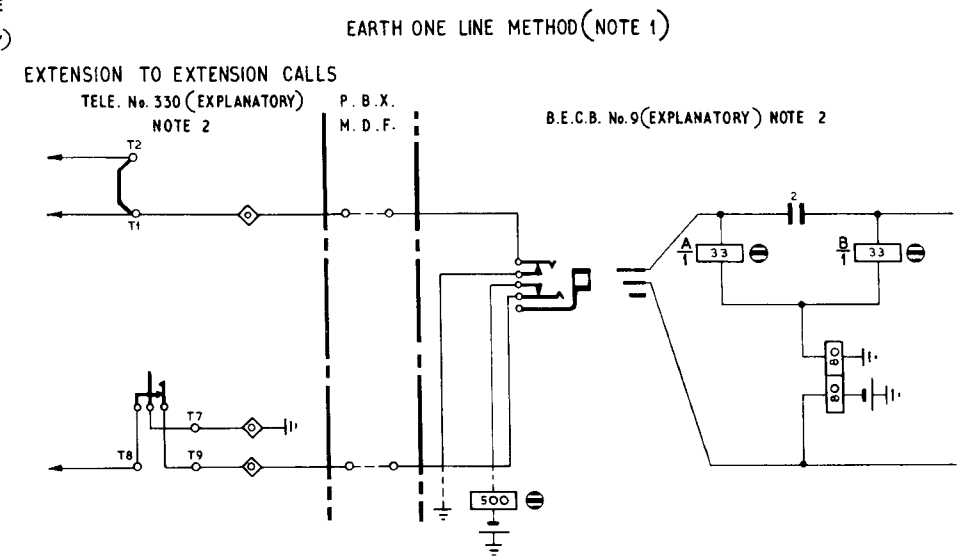


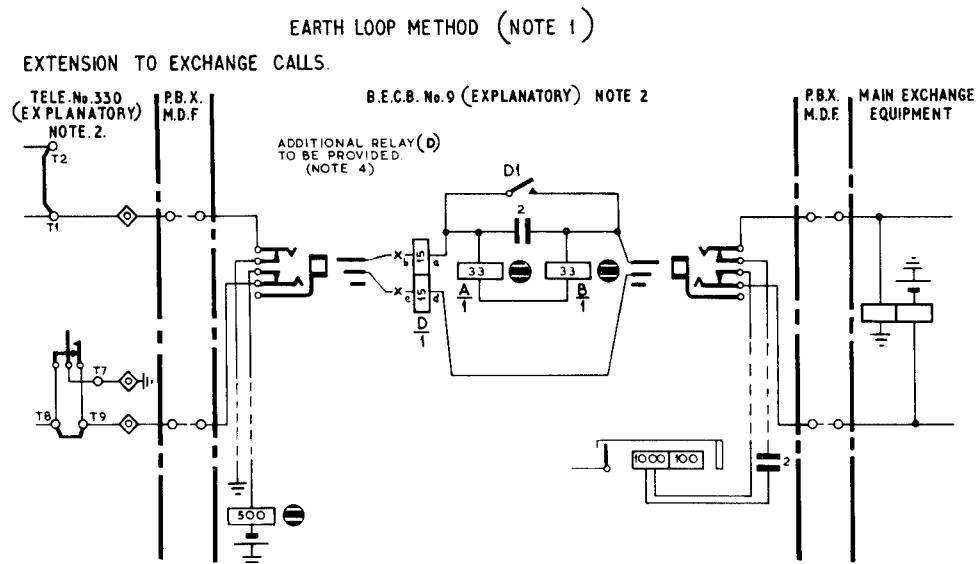
PRESS BUTTON RECALL  
SECTION SWITCH B.E.C.B. MULTIPLE No.9



Operation of the press button at the extension instrument holds the main exchange equipment and releases the supervisory indicators. For method of connexions see Note 3.



Operation of press button at extension releases the supervisory indicator, for method of connexion see Note 3.



Operation of press button at extension holds main exchange and operates Relay D. Contact D1 releases supervisory indicators. For extension to extension calls recall using the receiver rest.

NOTES:-

1. Earth One Line Method to be used in:-
  - (a) All exchange areas which are not S.T.D. working.
  - (b) S.T.D. exchange areas where the line polarity after C.S.A. is the same for both local and trunk calls on all exchange lines.
 Earth Loop Method to be used in S.T.D. exchange areas where the line polarity is not the same after C.S.A. for all exchange lines on both local and trunk calls.
2. For full details of:-
  - File No.330 see Diagram N430
  - File No.328 see Diagram N428
  - File No.706 see Diagram N806
  - Section Switch B.E.C.B.9 see Diagrams N943 & N1094.
3. To set up Earth One Line Method.
 

Switch Detector No.4 to 50V and connect negative terminal to terminal No.9 and positive terminal to terminal No.1. With telephone on rest detector should indicate the switchboard supply voltage. If a reverse reading is obtained reverse wires to telephone. Set up a call to the switchboard and check that recall is satisfactory. Set up an outgoing exchange call (not to a switchboard) and after C.S.A. press the recall button. If the exchange call is released reverse the A & B wires of the exchange line on the P.B.X. M.D.F. Test each exchange line similarly.
4. Relay No.7333 to be used.

P.O.E.D. S B.CH.	ISSUES			
PAPER: W CIRCULATION GENERAL	ISSUES	A	New format. <i>fw B.C.</i>	13-12-67
			E.C. Stevens 53	1-3-61