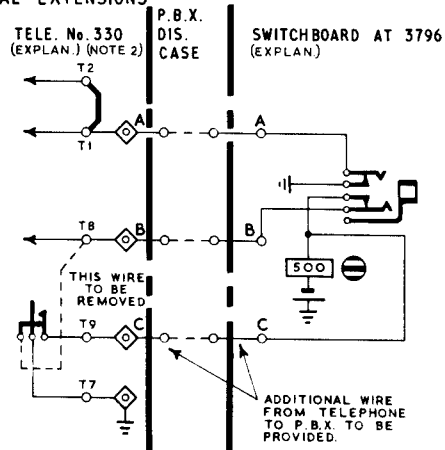


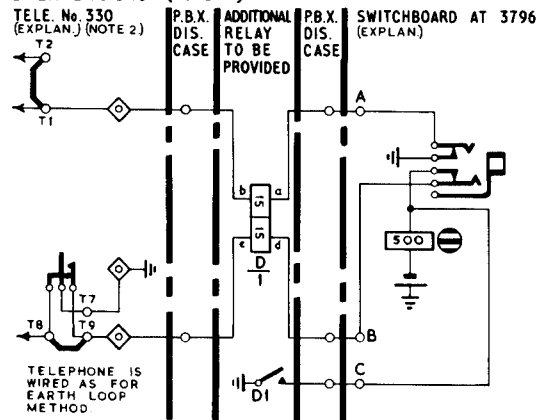
3RD WIRE METHOD (C-WIRE) (NOTE 1)  
EXTENSION/EXTENSION AND EXTENSION/EXCHANGE CALLS

INTERNAL EXTENSIONS



OPERATION OF PRESS BUTTON AT EXTENSION INSTRUMENT OPERATES EXTENSION CALLING INDICATOR.

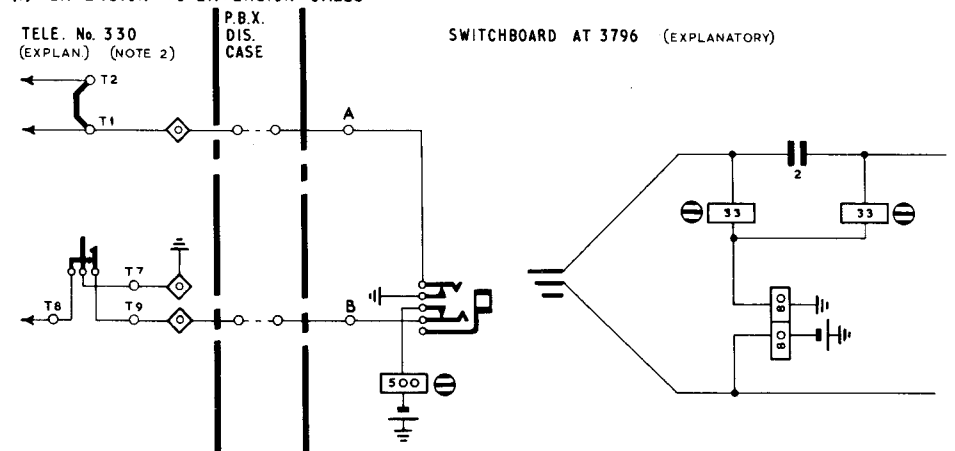
EXTERNAL EXTENSIONS (NOTE 4)



OPERATION OF PRESS BUTTON AT EXTENSION INSTRUMENT OPERATES RELAY D WHICH OPERATES CALLING INDICATOR. FOR METHOD OF CONNEXION SEE NOTE 4.

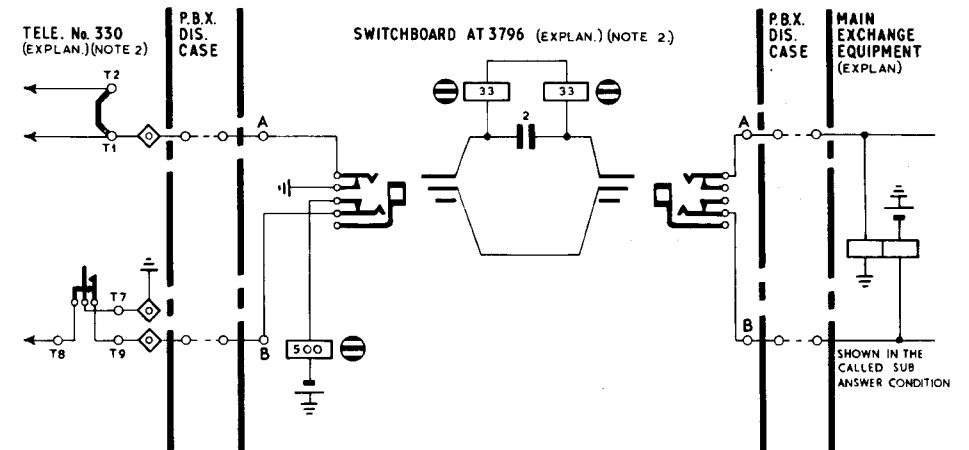
EARTH ONE LINE METHOD (NOTE 1)

(a) EXTENSION TO EXTENSION CALLS



OPERATION OF PRESS BUTTON AT EXTENSION RELEASES SUPERVISORY INDICATOR IN CORD CIRCUIT.

(b) EXTENSION TO EXCHANGE CALLS



OPERATION OF PRESS BUTTON AT EXTENSION HOLDS MAIN EXCHANGE AND RELEASES SUPERVISORY INDICATORS. FOR METHOD OF CONNEXION SEE NOTE 3.

P.O.E.D. S BCH.	ISSUES			
PAPER: W CIRCULATION GENERAL	ISSUES	A	NEW FORMAT <i>fw dgj</i>	13 - 12 - 67
			E. C. STEVENS	24 - 3 - 61

NOTES:-

1. Earth One Line Method to be used in:-

- (a) All exchange areas which are not S.T.D. working.
- (b) S.T.D. exchange areas when the line polarity after C.S.A. is the same for both local and trunk calls on all exchange lines.  
3rd Wire Method to be used in S.T.D. exchange areas where the line polarity is not the same after C.S.A. for all exchange lines on both local and trunk calls.

2. Tele.No.328 to be provided at installations where a Tele.No.330 is not already existing. Tele.No.706 to be used when required. For full details of:-

- Tele.No.330 see Diagram N430
- Tele.No.328 see Diagram N428
- Tele.No.706 see Diagram N806
- Switchboard AT3796 see Diagram N1093

3. To set up Earth One Line Method:-

Switch Detector No.4 to 50V and connect -VE terminal to terminal 9 on Tele.No.330 and +VE terminal to terminal No.1. With the telephone on the rest the detector should indicate the switchboard supply voltage. If reverse reading is obtained reverse 'A' and 'B' wires to the telephone. Set up a call to the switchboard and check that the recall facility is satisfactory. Set up an outgoing call (not to a switchboard) and after C.S.A. press the recall button. If the exchange call is lost reverse the 'A' and 'B' wires of the exchange line at the P.B.X. dis. case and test each exchange line similarly.

4. External Extensions - 3rd Wire Method.

APPARATUS SCHEDULE:-

APPARATUS	RATE BOOK DESCRIPTION
Relay D	Relay No. 7333
Base plate for two relays	Mountings 151/2A
Mounting for Base plate	Bracket Mounting AZ
Relay cover	Relay cover AP

The Relay No.7333 should be mounted so that the spring set is on the right of the armature. To set up, plug an answering cord into the extension line jack. Switch Detector No.4 to 50 volts connect negative terminal to terminal No.9 on Tele.No.330 and positive terminal to terminal No.1. The detector should indicate the switchboard supply voltage. If a reverse reading is obtained, reverse leads to telephone. Set up a call to the switchboard and check that the recall facility is satisfactory.