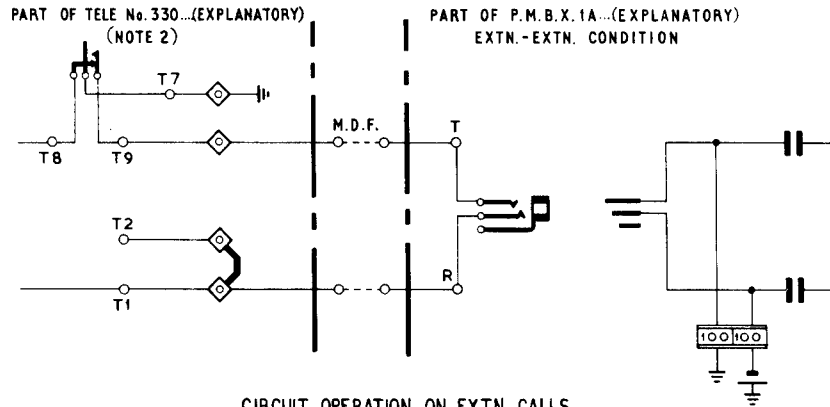


PRESS BUTTON RECALL AT P.M.B.X.'s.
P.M.B.X. IA INSTALLATIONS (SEE NOTE 1)

EARTH ONE LINE METHOD
(a) EXTENSION CALLS

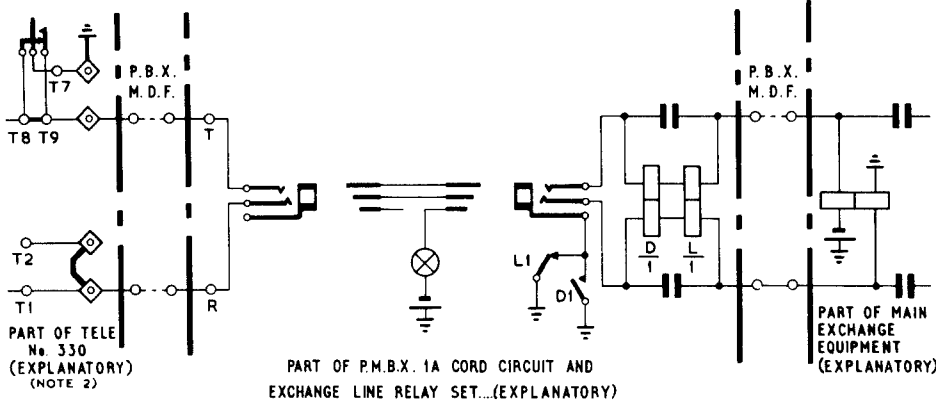


CIRCUIT OPERATION ON EXTN. CALLS.
Depression of recall button releases supervisory relay and lights supervisory lamps.

For setting up procedure see Note 3.

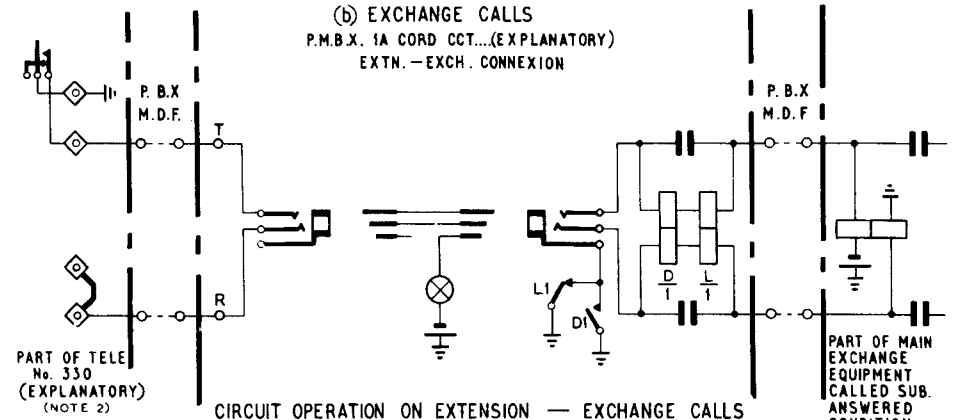
EARTH LOOP METHOD

EXTN. TO EXCH. CALLS



CIRCUIT OPERATION ON EXTN. TO EXCH. CALLS
When the button is pressed the earthed loop condition holds the main exchange equipment and operates the differentially connected relay D. Contact D1 lights the supervisory lamps. On extension to extension calls the operator is recalled by using the receiver rest.

(b) EXCHANGE CALLS
P.M.B.X. IA CORD CCT...(EXPLANATORY)
EXTN.-EXCH. CONNEXION



CIRCUIT OPERATION ON EXTENSION — EXCHANGE CALLS
Earth from press button holds the main exch. equipment and P.B.X. L relay and also operates differentially connected D relay. D contact lights supervisory lamps.
For setting up procedure see Note 3.

NOTES:-

- EARTH ONE LINE METHOD.
Provides P.B.R. on extn. and exch. calls and is to be used in:-
(a) All exchange areas which are not S.T.D.
(b) S.T.D. exchange areas where the line polarity after C.S.A. is the same for both local and trunk calls on all exchange lines.
EARTH LOOP METHOD.
Provides P.B.R. on exch. calls only and is to be used in S.T.D. exchange areas where the line polarity after C.S.A. is not the same for both local and trunk calls on all exchange lines.
- Telephone No.328 is to be provided at installations where a Telephone No.330 is not already existing. Telephone No.706 to be used when required. For full details of:-
Telephone No.330 see Diagram N430
Telephone No.328 see Diagram N428
Telephone No.706 see Diagram N806
- TO SET UP EARTH ONE LINE METHOD.
(a) Set Detector No.4 to 50V range. Connect +VE terminal to T9 on Tele. No.330 & -VE terminal to T1. With telephone on rest about 24V should be indicated. If reverse reading obtained reverse A & B wires on B/T. Check with operator that recall works on extn. calls.
(b) Set up an outgoing exch. call (not to a manual board). On C.S.A. press the recall button. If this releases the exch. call reverse the exch. line connexion on the P.B.X. M.D.F. (out each exch. line similarly).

P.O.E.D. S BCH.	ISSUES			
PAPER: W CIRCULATION GENERAL	ISSUES	B	New format <i>100 13/6</i>	13-12-67
		A	Redrawn, made 4 panels	16-2-61
			P.A.M. S1	14-1-54.