

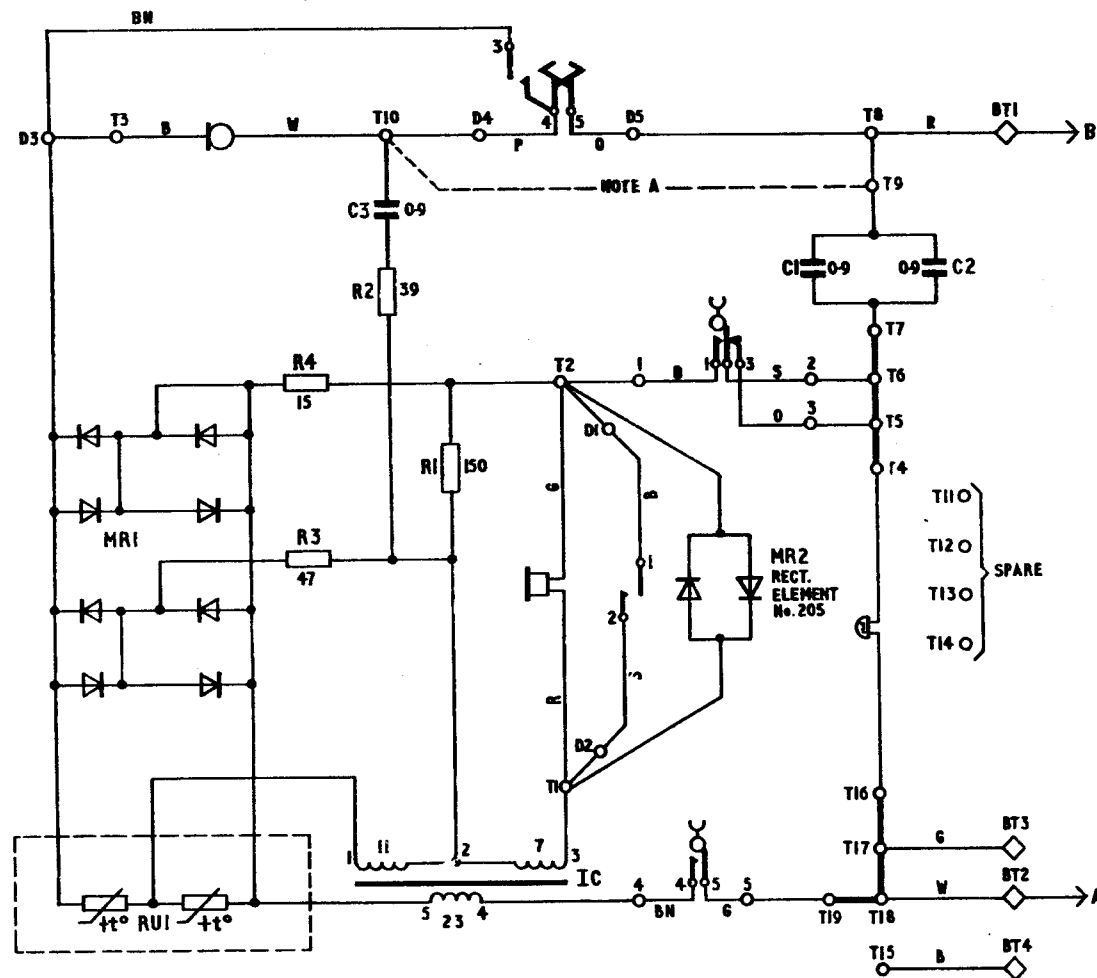
**CONTENTS**

- Circuit Dgm. showing connexions as issued Fig.1
- Shared service Fig.2
- 2-wire PBX extensions with recall Fig.3
- PMBX with additional signalling C-wire Fig.4

**REFERENCES**

- Telecommunications instructions . . . . . C3B1030 E5B2745
- Auxiliary units . . . . . Dgm. N4700

**FIG.1 CIRCUIT DIAGRAM SHOWING CONNEXIONS AS ISSUED**



**NOTES:-**

- A For CB working strap Terminals T9-T10
- B When an extension bell is required, remove Strap T17-T18 and connect bell to BT2-BT3

PO TELECOMMS HQRS.		
PAPER:- W DISTN: GENERAL	ISSUE	
	B MR2 ADDED. E.M.S. <i>[Signature]</i>	8-11-78
	A FIGS. 3 & 4 WERE 2 & 3. REF. TO HANDSET No6 DELETED. NEW FIG.2 ADDED. I.R.D.	22-2-73
	F.E.I. TROKE	TD2-3-1 SECTION 15-7-69

FIG. 2 AUTOMATIC SYSTEMS  
SHARED SERVICE LINES

USING:—  
Telephone No.745  
Switch No.27A-1 (SA)  
Thermistor No.1A-(RY1)  
Valve, Electronic CV8790 (Note C)

- NOTES:—
- A Remove door latch-plate from back plate and fit Switch No.27A-1. Replace small sealing screws on RH front edge of case with latch-plate. Fit plunger in place of dummy on RHS of dial.
  - B Remove Straps T5-T6, T16-T17-T18-T19 and provide Strap T14-T15.
  - C In UAX areas with vibrator ringing, provide and fit Valve, Electronic CV8790
  - D Exchange line connexions  
'A' wire to BT1 } Station X  
'B' wire to BT2 }  
'A' wire to BT2 } Station Y  
'B' wire to BT1 }
  - E When extension bell is required, remove Strap T14-T15 and connect bell to BT3 and BT4.

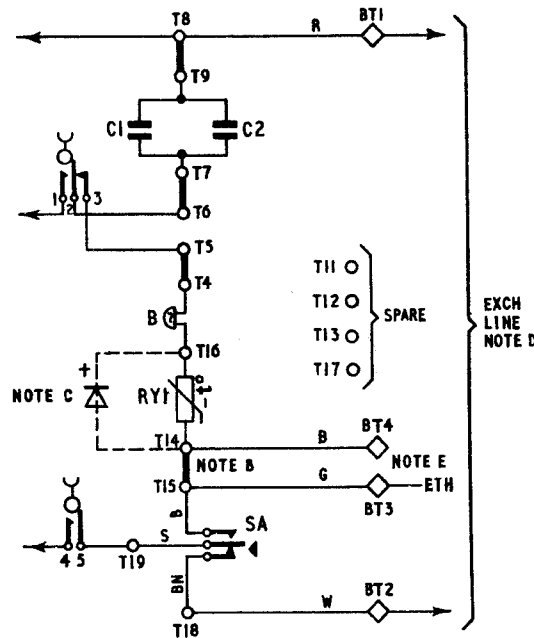


FIG. 3 2-WIRE P B X EXTENSIONS, WITH RECALL

USING:—  
Telephone No.745  
Switch No.27A-1 (SA)

- NOTES:—
- A Fit Switch No.27A-1 as Fig.2, Note A
  - B Retain Strap T8-T9 for earth loop recall. Remove Strap T8-T9 for 'one line earth, loop disconnected', recall
  - C When extension bell is required, remove Strap T17-T18 and connect bell to BT2 and BT3

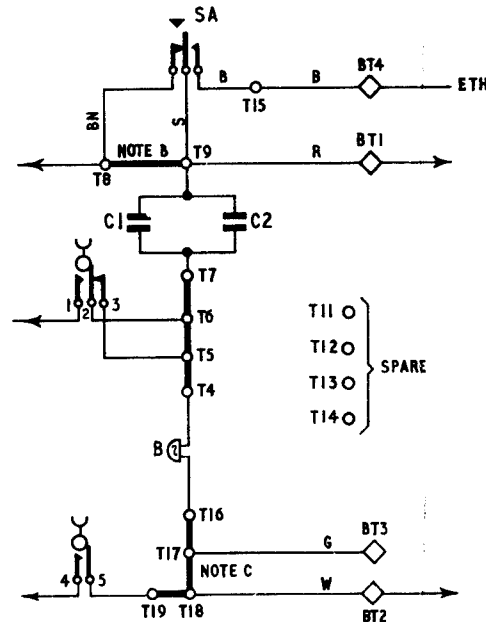
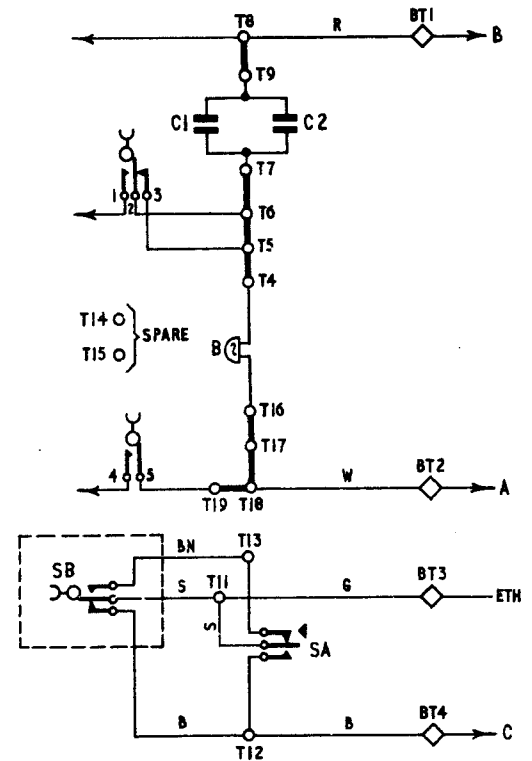


FIG. 4 PMBX WITH ADDITIONAL SIGNALLING C-WIRE (PMBX2/... and 3/... Note B)

USING:—  
Telephone No.745  
Switch No.27A-1 (SA) } Note A  
Switch No.20D (SB) }

- NOTES:—
- A Switch No.20D should be fitted alongside the existing gravity-switch, using the long screw supplied with it to secure both switches. Fit Switch No.27A-1 as Fig.2 Note A
  - B For 2-Wire extensions using UAA No.96 or 96A wire the telephone to Fig.3 retaining strap T8-T9



WHAT IS A FORM A646?

It's the form you should use to advise Headquarters of any apparatus that is defective or causes difficulties in the field.

\* Keep a few with you - and use them.

TI's CIA 0050 and EIA0091 refer.