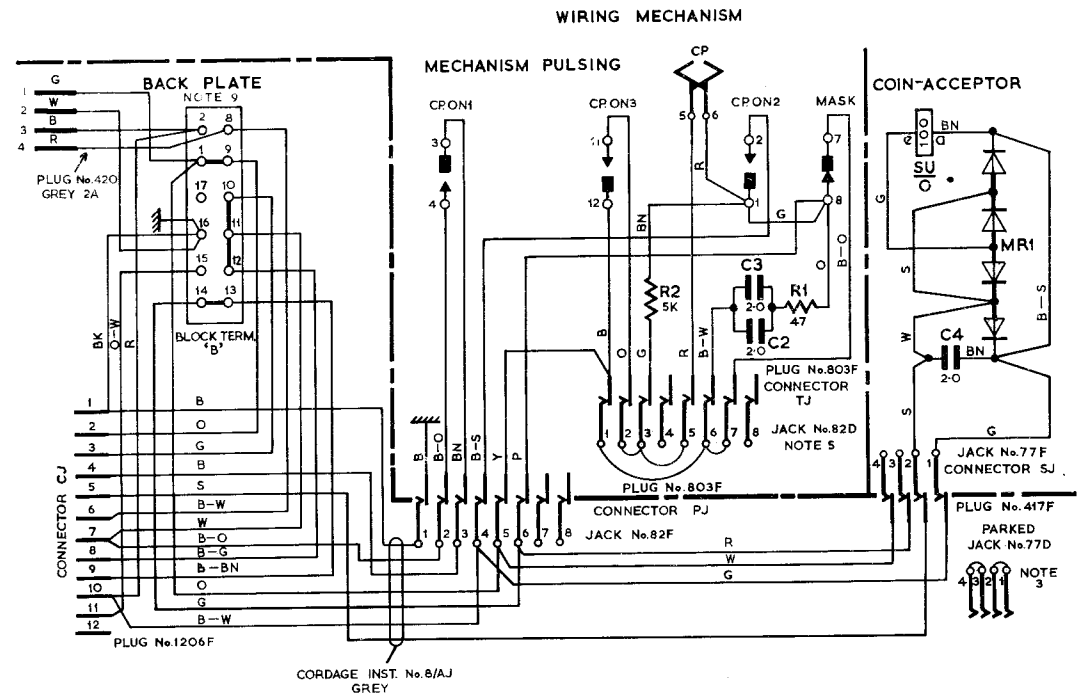
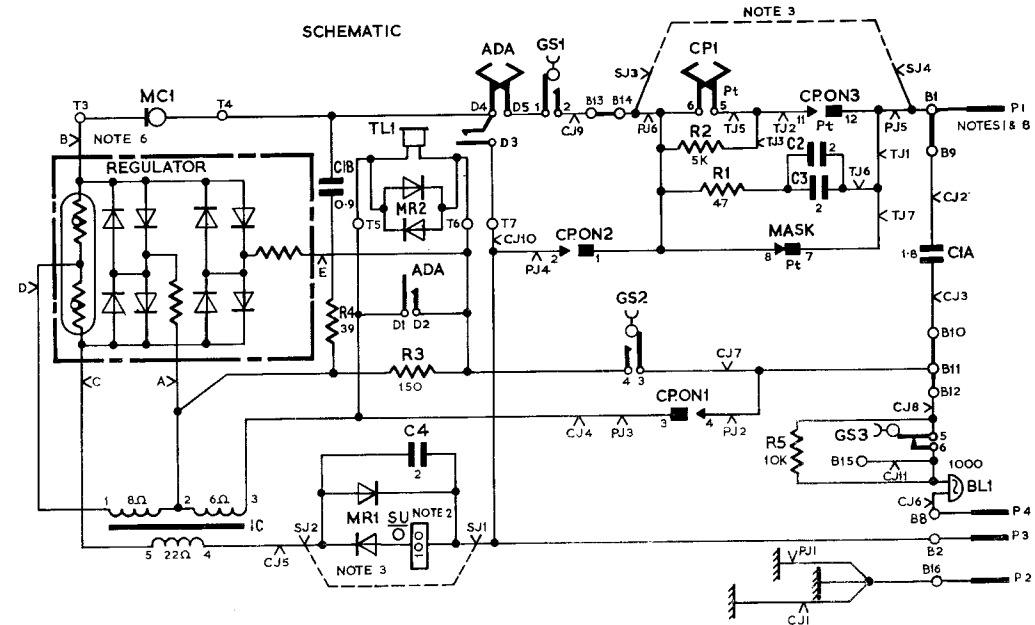
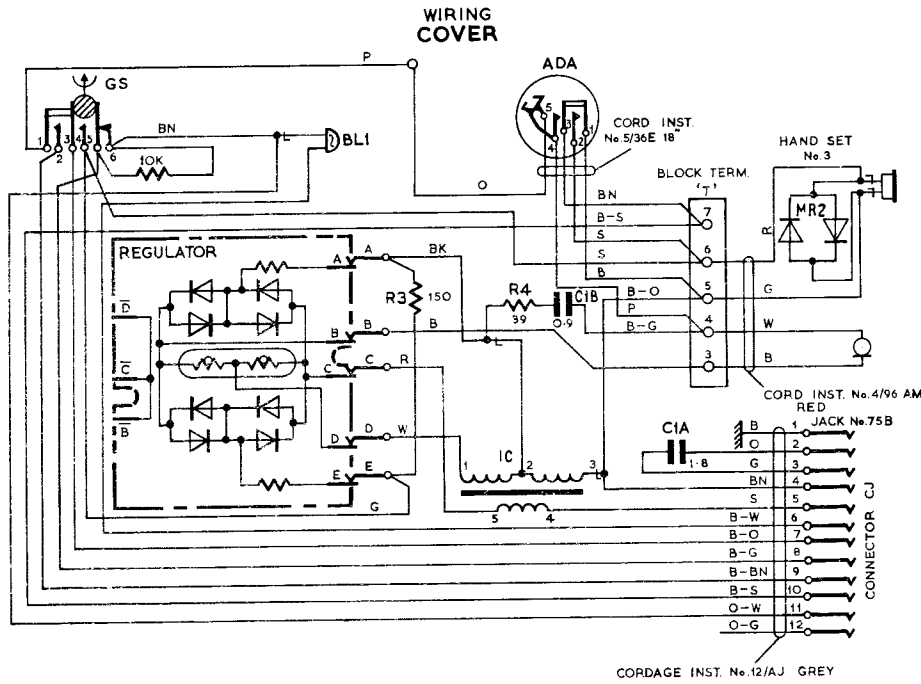


BOX, COIN-COLLECTING No. 1/735D
COMBINED COIN-BOX & TELEPHONE FOR USE IN S.T.D. AREAS.
 (USING A BELL SET No.47)



P.O. TELECOMMS. HQRS.	ISSUE		
	D	BELL-SET No. 49A GRAVITY SWITCH WIRING REARRANGED. NOTES RE-NUMBERED.	5-3-73
	C	REDRAWN BELL-SET 49A & INSTALLATION DETAILS ADDED.	3-2-72
	B	PAGE 4: DESCRIPTION OF C4 ADDED: MINOR AMENDMENTS.	2-8-68
TD2-3-3 SECTION			

NOTES:-

1. This line +VE until called Sub Answers, then -VE.
2. SU unlocks Coin Slots when energised by current reversal (see Note 1)
3. These Points are connected by transferring the parked Jack No.77D to the SJ Plug to provide '999' service with mechanism removed.
4. U Point letter prefixes :-
CJ - Cover
SJ - Slot unlocking unit and emergency service
TJ - Test Jack on Pulsar Unit.
PJ - Pulsar Unit
5. Insulated sleeving to be provided on wires which cross.
6. When reversed in Jack, points B,C and D are connected together and regulator is inoperative.
7. Box, Coin - Collecting, No.735 may be fitted with either a Bell-Set No.47 or a Bell-Set No.49A. Bell-Set No.49A is fitted with a printed circuit board and built in regulator. For details when Bell-Set No.47 is fitted see page 1 and for Bell-Set No.49A see page 3.
8. Box, Coin - Collecting, No.735 as issued may not have the cord connected to Block Terminal B as shown on this diagram. In these circumstances the connections on the Box, Coin - Collecting, No.735 Terminal Block should be rearranged to conform to diagram.
9. A Bell-Set No.26 must be fitted at each installation. See page 4 for installation details.
10. Schematic circuit shown with handset on rest i.e with micro-switches operated.

APPARATUS SCHEDULE USING BELL-SET No. 47

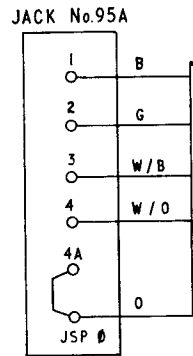
ITEM	DESCRIPTION
R1	RESISTOR, CARBON 10% GRADE 2 1/2 W
R2	RESISTOR, COIL No.12A
R3	RESISTOR, CARBON 10% GRADE 2 1/4 W
R4	RESISTOR, CARBON 10% GRADE 2 1/4 W
R5	RESISTOR, CARBON 10% GRADE 2 1/4 W
C1&B	CAPACITOR, PAPER, No.7719
C2,3&4	CAPACITOR, PAPER, No.7712
MR1	RECTIFIER-ELEMENT No.4/6AZ
MR2	RECTIFIER-ELEMENT No.205
SU	P.O. RELAY No.13320
IC	COIL, INDUCTION, No.31
MCI	TRANSMITTER-INSET No.16
TL1	RECEIVER-INSET No.4T
BL1	BELL No.59A UNMOUNTED
ADA	DIAL, AUTO, No.21FA, CLEAR REGULATOR No.1 DGM NBO1 PLUG No.420 GREY-2A

APPARATUS SCHEDULE USING BELL-SET No.49A

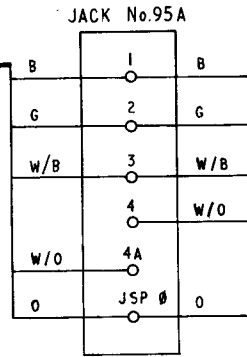
ITEM	DESCRIPTION
R1	RESISTOR, CARBON 10% GRADE 2 1/2 W
R2	RESISTOR, COIL, No.12A
R3	RESISTOR, CARBON, 10% GRADE 2 1/4 W
C2,3&4	CAPACITOR, PAPER, No.7712
MR1	RECTIFIER-ELEMENT No.4/6AZ
MR2	RECTIFIER-ELEMENT No.205
SU	P.O. RELAY No.13320
MCI	TRANSMITTER-INSET No.16
TL1	RECEIVER-INSET No.4T
BL1	BELL No.59A UNMOUNTED
ADA	DIAL, AUTO, No.21FA, CLEAR
G51 G52	SWITCHES No.19A
CJ CONNECTOR	JACK No.75B & CORDAGE, INST, No.8/AJ GREY
TELEPHONE BOARD	TELEPHONE-UNIT D93039 PLUG No.420 GREY-2A

INSTALLATION-WIRING (NOTES 8 AND 9)

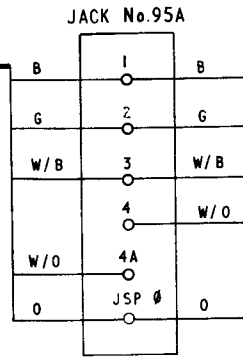
LAST POSITION



INTERMEDIATE

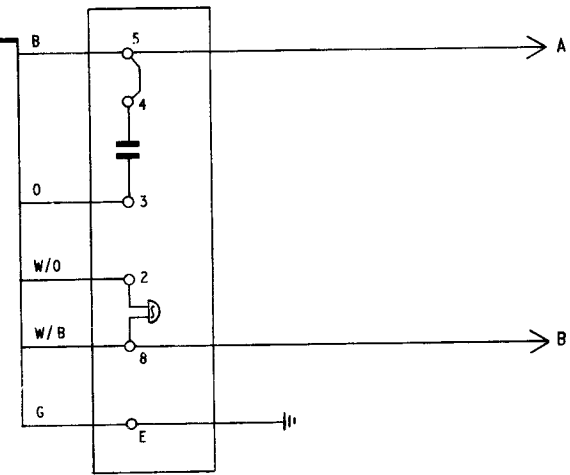


FIRST POSITION



BELL-SET No.26

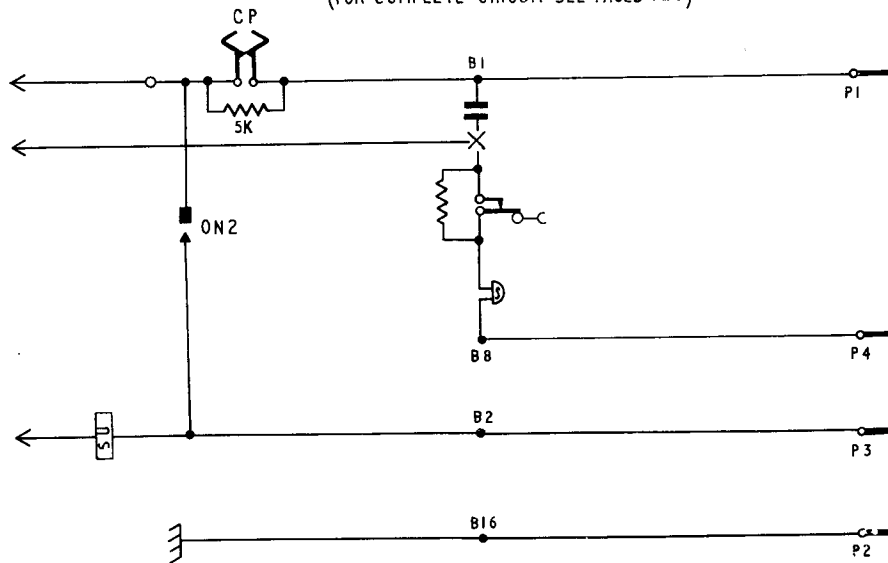
CABLE, DISTN,
8W/O.5mm



WHEN ONE JACK ONLY IS REQUIRED WIRE AS FOR LAST POSITION
Ø SPARE TERMINAL IN JACK No.95A

EXPLANATORY

PART OF BOX, COIN-COLLECTING, No.735
(FOR COMPLETE CIRCUIT SEE PAGES 1&3)

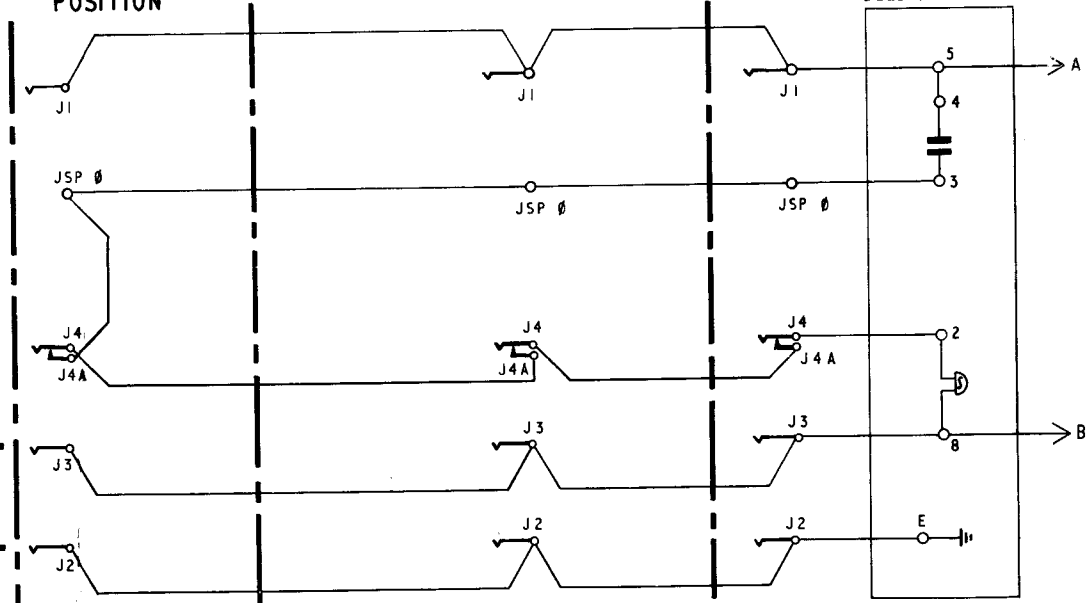


LAST POSITION

INTERMEDIATE

FIRST POSITION

BELL-SET No. 26



Ø SPARE TERMINAL IN JACK No.95A