

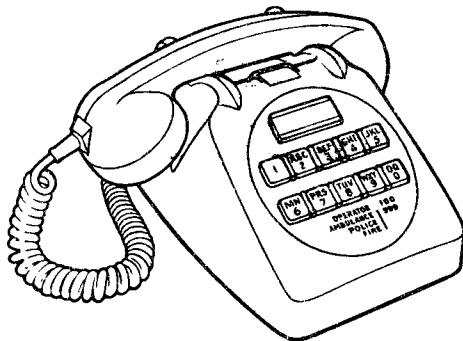
CIRCULATION	SPECIAL
	SUFFIX
PAPER	AMEND'T
	R

TELEPHONE No. 724L

700 TYPE TABLE TELEPHONE WITH PUSH BUTTON V.F. SIGNALLING

N 824

5 PANELS-1
30.7.64.



DESCRIPTION:-

THE TELEPHONE No.724L IS A TELEPHONE No.706 MODIFIED AS FOLLOWS:-

- (A) A PUSH BUTTON KEYSSET REPLACES THE DIAL.
- (B) THE DIAL APERTURE IN THE TELEPHONE COVER IS ENLARGED TO CATER FOR THE KEYSSET.
- (C) THE OSCILLATORS ARE LOCATED ON A SPECIAL MOUNTING ABOVE THE TERMINAL STRIP.
- (D) TWO SPECIAL BRACKETS ARE FITTED TO THE TELEPHONE, ONE TO MOUNT A BUZZER No.32A IF REQUIRED THE OTHER TO MOUNT THE CAPACITOR ASSOCIATED WITH THE ADAPTER PLAN SET No.1 IF REQUIRED. (SEE PANEL 5).

PERMISSIBLE INSTALLATIONS:-

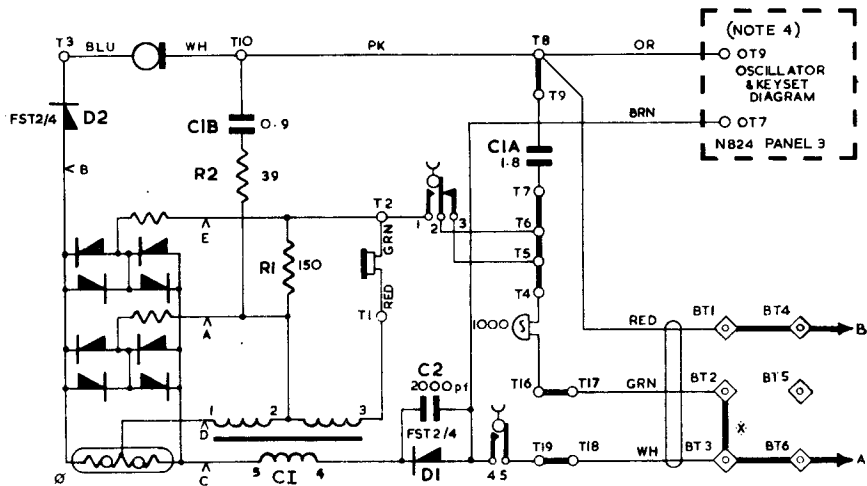
AS THE TELEPHONE CAN ONLY BE FITTED WITH ONE AUXILIARY SPRINGSET (SWITCH 5A) ITS USE IS LIMITED TO THE FOLLOWING TYPES OF INSTALLATIONS:-

- (A) EXCLUSIVE AND SHARED SERVICE EXCHANGE LINES (SEE NOTE 4).
- (B) MAIN OF PLAN 1 WHERE ONLY ONE EXTENSION EXISTS.
- (C) PLAN 1 EXTENSIONS.
- (D) PLAN 1A MAIN AND EXTENSIONS.
- (E) PLAN 4
- (F) PLAN 12A EXTENSIONS.
- (G) MAIN OF PLANS 105, 105A, 107 AND 107A (INTERNAL ONLY).

} SEE NOTE 3.

N 824
5 PANELS-2

TELEPHONE No. 724 L
700 TYPE TABLE TELEPHONE WITH PUSH BUTTON V.F. SIGNALLING
(CONNEXIONS AS ISSUED)

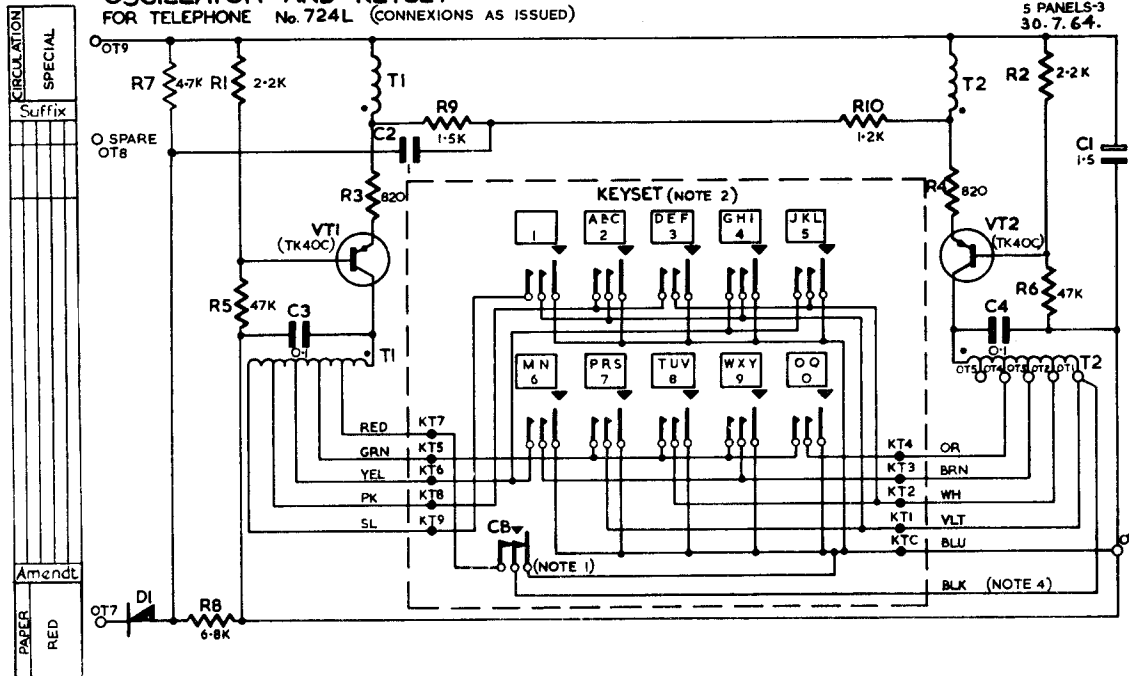


∅ WHEN REVERSED IN JACK THE REGULATOR CONNECTS B, C & D TOGETHER AND IS RENDERED INOPERATIVE

* WHEN EXTN. BELL IS REQD. CONNECT IN PLACE OF STRAP BT2 - BT3.

OSCILLATOR AND KEYSSET FOR TELEPHONE No. 724L (CONNEXIONS AS ISSUED)

N824
5 PANELS-3
30. 7. 64.



N 824

5 Panels-4

TELEPHONE NO. 724L

700 TYPE TABLE TELEPHONE WITH PUSH BUTTON V.F. SIGNALLING

NOTES

1. The CB contacts operate when any digit key is operated.
2. The double make contacts on individual keys make or break simultaneously.
3. When used in Extn. Plan arrangements use the appropriate plan diagram and connect the Tele. No. 724L as for the Tele. No. 706L.

When a Buzzer No. 32A is required it should be mounted on the special brackets supplied with the telephone. Mounting details are shown on Panel 5.

When an Adapter Plan Set No. 1 is required the capacitor and bracket should be separated from the springset bracket and the springset mounted as an auxiliary gravity switch springset. The capacitor should be mounted on the special bracket supplied with the telephone as shown on Panel 5.

4. Connect the Blk. lead to the "OT" terminals as follows:-

X Party or Exclusive Exchange Line	Connect Blk. lead to	OT1
Y Party	" " " "	OT2
X Party Barred Trunks	" " " "	OT3
Y Party Barred Trunks	" " " "	OT4

