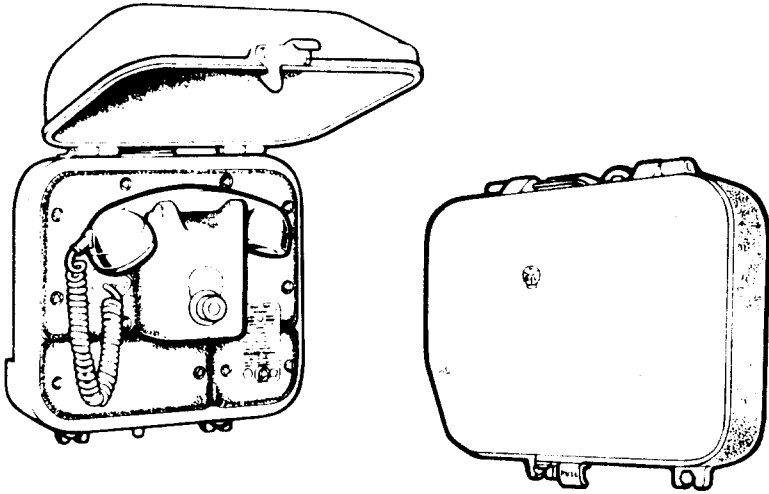


TELEPHONE No. 723

FLAMEPROOF WITH TELEPHONE WITH INTRINSICALLY
SAFE HANDSET FOR USE IN GROUPS II & III SITUATIONS.
E.I. TELES. STNS. Z 3013 REFERS.
FOR USE IN MAGNETO AREAS.

N 823
PAGE 1-3



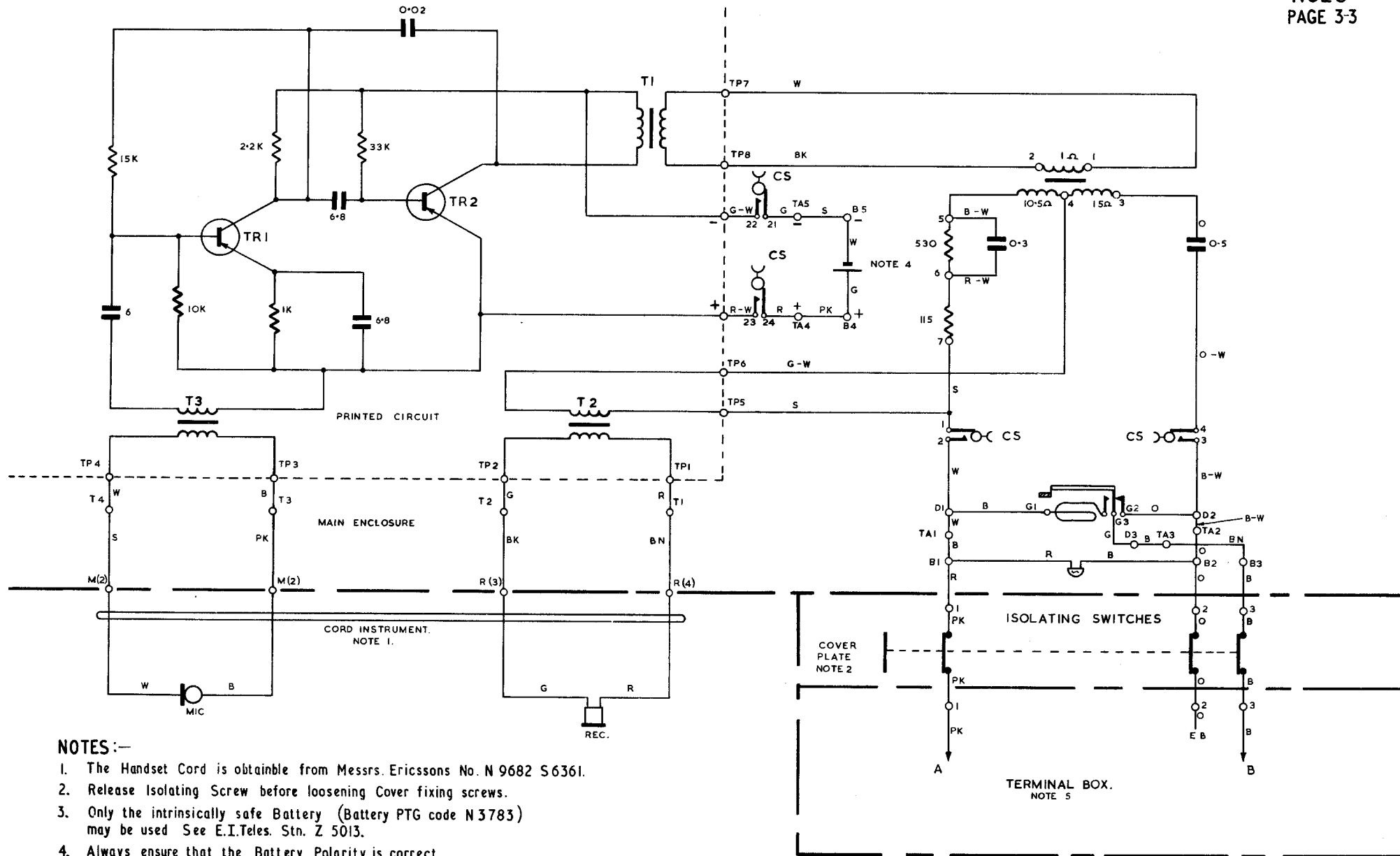
P. O. E. D.
S BRANCH
PAPER :- W
CIRCULATION :-
GENERAL

ISSUE

SI/1.

27.7.67.

SPARE



NOTES:-

1. The Handset Cord is obtainable from Messrs. Ericssons No. N 9682 S6361.
2. Release Isolating Screw before loosening Cover fixing screws.
3. Only the intrinsically safe Battery (Battery PTG code N3783) may be used See E.I.Teles. Stn. Z 5013.
4. Always ensure that the Battery Polarity is correct.
5. When Extension Bell is required connect across A-EB.