

**BOX, COIN COLLECTING No.705... NOTE 1**  
**COMBINED COIN BOX AND TELEPHONE FOR USE IN STD AREAS**  
**USING A BELL-SET No.47 NOTE 8**

**NOTES:-**

1. The Box, Coin Collecting No. 705 is an obsolescent item for use in public kiosks and is superseded by the Kit No. 177... and associated parts.
2. Cable directly to Block Terminal B. The line must be connected, A Leg (+Ve) to B1, B Leg (-Ve) to B2, the earth to B16 and straps between B1-B9, B2-B8, B10-B11-B12, B13-B14.
3. Relay SU unlocks coin slots when energised by line current reversal on called sub answer.
4. U-Point letter prefixes:-  
 CJ - Cover.  
 SJ - Slot unlocking unit and emergency service.  
 TJ - Test jack on pulser-unit.  
 PJ - Pulser-unit.
5. When reversed in jack, regulator connects 'B', 'C' and 'D' together. Circuit then works without regulator.
6. Insulated sleeving to be provided on wires which cross in the Jack No.82D.
7. When the wiring between the mechanism and backplate is a non-flexible connexion (Connector Assembly No.1 CCB No.705), these wires, colour coded as O,G and B-W, will be instead Y,P and B-S respectively.
8. Box, Coin Collecting No. 705 may be fitted with either a Bell-Set No. 47 or a Bell-Set No. 49A. A Bell-Set No. 49A is recognisable by the fact that it contains a printed circuit board for the telephone. For details when a Bell-Set No. 49A is used see pages 3 and 4.
9. These points are connected by transferring the Parked Jack No. 77D to the SJ plug to provide '999' service with mechanism removed.
10. The cord conductor colours shown for the Connector Assembly No.4A (Kit No.177...) are those of a Cordage Instrument No.8/AD. The colours shown in brackets refer to the Cordage Instrument No.8/AJ.

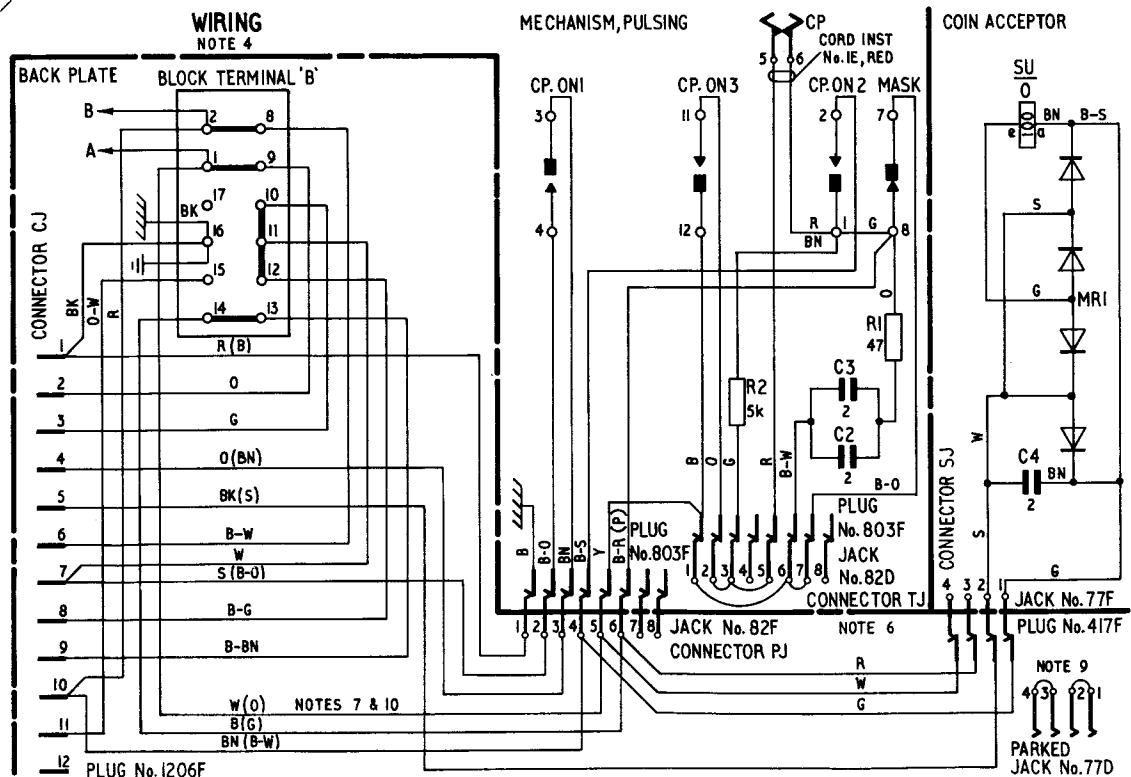
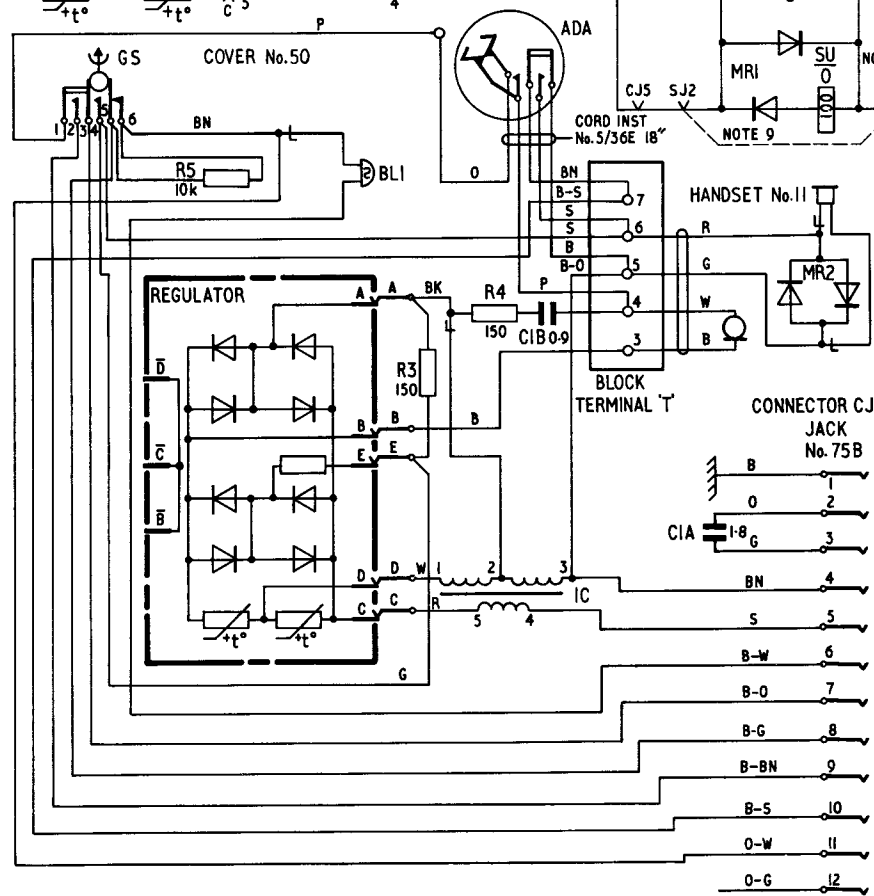
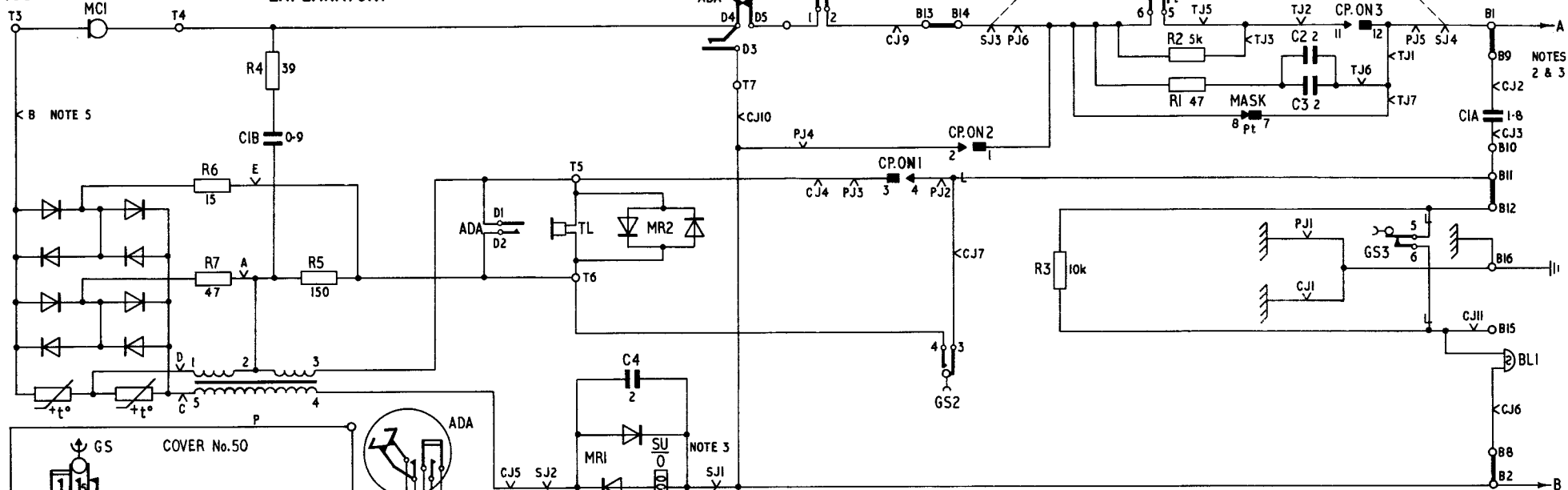
APPARATUS SCHEDULE	
ITEM	DESCRIPTION
R1	Resistor carbon 10% grade 2 1/2 W.
R2	Resistor Coil No. 12A.
C1A and C1B	Capacitor Paper No. 7719.
C2 - C4	Capacitor Paper No. 7712.
MR1	Rectifier Element No. 4/6AZ.
MR2	Rectifier Element No. 205.
CJ Conn	Jack No. 75B and Cordage Instrument No. 8/AJ.
SU	PO Relay No. 13320.
IC	Coil, Induction No. 31.
MC1	Transmitter Inset No. 16.
TL1	Receiver Inset No. 4T.
BL1	Bell No. 59A, unmounted.
ADA	Dial Auto No. 21 FA, steel.
	Regulator No. 1 (Dgm. N801).
R3-R5	Resistor Carbon 10% grade 2 1/4 W

KIT NO. 177 AND ASSOCIATED PARTS Note 1	
Bell-Set No. 47.	
Cradle Handset No. 1A, black.	
Handset No. 11A, black.	
Dial Auto No. 21FA, steel.	
Mechanism No. 24...	
Kit No. 227A.	
Lock No. 42...	
Lock No. 6M.	

PO TELECOMMS HQRS PAPER:- W	ISSUE	NOTE II REWRITTEN. NOTE 16 DELETED. TABLE 2 AND TITLE AMENDED. MINOR AMENDMENTS. <i>M.H. Muth.</i>	27.6.79
DISTN:- CB & AUTO	K	Redrawn. Updated. Pages 1 and 2 made yellow. Notes 9-21 and page 4 added. Notes 1-3 amended. <i>M.H. 107.2.3</i> Minor Amendments.	5.11.76
	J	Bell-Set No. 49A - gravity switch wiring rearranged. J.F.	1.3.73

BOX, COIN COLLECTING No. 705... NOTE 1  
(Using Bell-Set No.47)

EXPLANATORY



NOTE 9

NOTES 2 & 3

< B NOTE 5

WIRING  
NOTE 4

MECHANISM, PULSING

COIN ACCEPTOR

BACK PLATE

BLOCK TERMINAL 'B'

CONNECTOR CJ  
BK  
O-W  
R

1  
2  
3  
4  
5  
6  
7  
8  
9  
10  
11  
12

12 8  
11 9  
10 10  
9 11  
8 12  
7 13  
6 14  
5 15  
4 16  
3 17  
2 18  
1 19

CP.ON1  
3  
4

CP.ON3  
11  
12

CP.ON2 MASK  
2  
7  
8

SU  
0  
BN  
B-S  
S  
G  
MR1  
C4  
2  
BN  
G  
JACK No. 77F  
PLUG No. 417F

W(O) NOTES 7 & 10  
B(G)  
BN(B-W)

PLUG No. 1206F

NOTE 9  
4 3 2 1  
PARKED JACK No. 77D

**BOX, COIN TELEPHONE No. 21... NOTE II  
COMBINED COIN BOX AND TELEPHONE FOR USE IN STD AREAS  
USING A BELL-SET No. 49A NOTE I7**

**N805  
PAGE 3  
ISSUE L**

**NOTES:-**

11. The Box, Coin Telephone No. 21... comprises a complete assembly of all the items shown in Table 2. It supersedes the Box, Coin Collection No. 705 for use in public call offices and renters installations where strengthened equipment is required.
12. Cable directly to the Block Terminal B. The line must be connected, A leg (+Ve) to B1, B leg (-Ve) to B2, the earth to B16 and straps between B1-B9, B2-B8, B10-B11-B12, B13-B14.
13. Relay SU unlocks coin slots when energised by line current reversal on called sub answer.
14. U-Point Letter prefixes:-  
CJ - Cover.  
SJ - Slot unlocking unit and emergency service.  
TJ - Test jack on pulser-unit.  
PJ - Pulser-unit.
15. Insulated sleeving to be provided on wires which cross in the Jack No. 82D.
17. Box, Coin Telephone No. 21... may be fitted with either a Bell-Set No. 47 or a Bell-Set No. 49A. A Bell-Set No. 49A is recognisable by the fact that it contains a printed circuit board for the telephone. For details when a Bell-Set No. 47 is used see pages 1 and 2.
18. 10k resistor and wire straps to be ring and spade tag ended respectively. Included in circuit to reduce current flowing in receiver under current reversal conditions.
19. Explanatory circuit shown with handset on rest, ie with micro-switches operated.
20. The cord conductor colours shown for the Connector Assembly No. 4A (Kit No. 177...) are those of a Cordage Instrument No. 8/AD. The colours shown in brackets refer to the Cordage Instrument No. 8/AJ.
21. These points are connected by transferring the Parked Jack No. 77D to the SJ plug to provide '999' service with mechanism removed.

APPARATUS SCHEDULE	
ITEM	DESCRIPTION
R1	Resistor carbon 10% grade 2 1/2w.
R2	Resistor Coil No. 12A.
C2 - C4	Capacitor Paper No. 7712.
MR1	Rectifier Element No. 4/6AZ.
MR2	Rectifier Element No. 205.
SU	PO Relay No. 13320.
MC1	Transmitter Inset No. 16.
TL1	Receiver Inset No. 4T.
BL1	Bell No. 59A, unmounted.
ADA	Dial Auto No. 21 FA, steel - 1
GS1 & GS2	Switch No. 19A.
CJ Conn	Jack No. 75B and Cordage Instrument No. 8/AD, grey.
Telephone Board	Telephone-Unit D93039.
R3	Resistor Carbon 10% grade 2 3/4w.

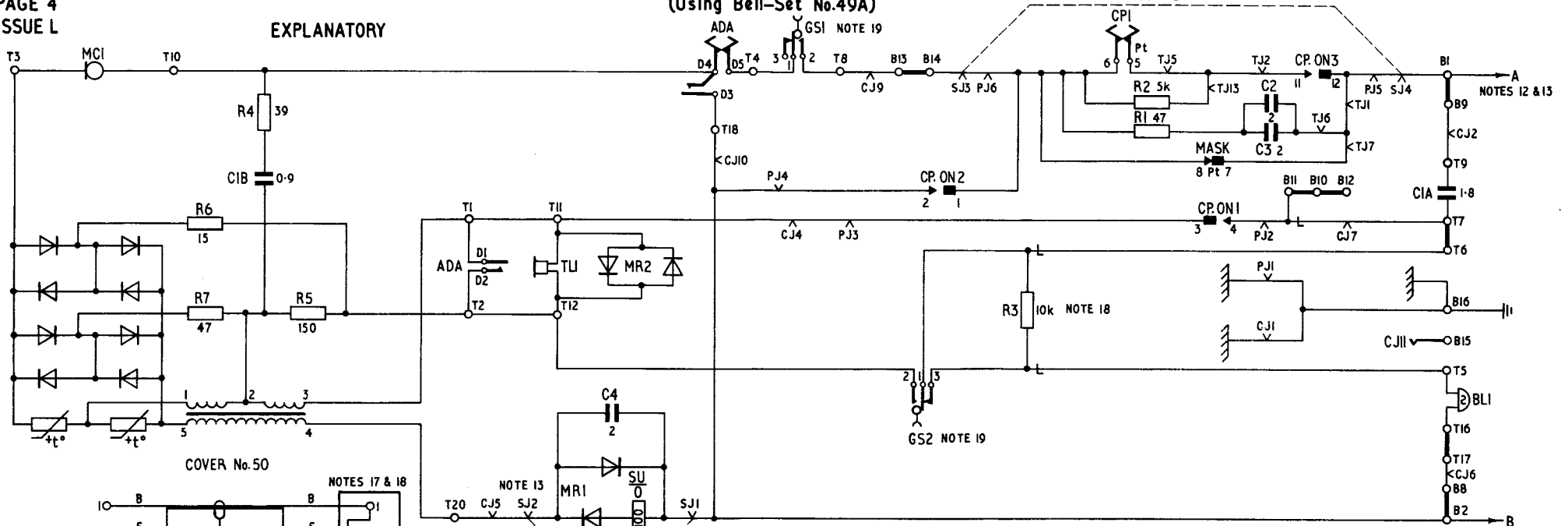
TABLE 2

ASSOCIATED PARTS Note 11	
Bell-Set No. 49A	
Cradle Handset No. 1A, black.	
Handset No. 11A, black.	
Dial Auto No. 21FA, steel - 1	
Mechanism No. 24...	
Kit No. 177...	
Kit No. 227A.	
Lock No. 42...	
Lock No. 6...	
Container, Cash No. 7 (C-T 21A ONLY)	
Box No. 9 (C-T 21B ONLY)	

PO TELECOMMS HQRS PAPER:- W DISTN:- CB & AUTO	ISSUE	L	NOTE II REWRITTEN. NOTE 16 DELETED. TABLE 2 AND TITLE AMENDED. MINOR AMENDMENTS. <i>MW MWH</i>	27.6.79
		K	Redrawn. Updated. Pages 1 and 2 made yellow. Notes 9-21 and page 4 added. Notes 1-3 amended. Minor Amendments. <i>MWH TD7,2,3</i>	5.11.76
		J	Bell-Set No. 49A - gravity switch wiring rearranged. J.P.	1.3.73

BOX, COIN TELEPHONE No. 21... NOTE II  
(Using Bell-Set No.49A)

EXPLANATORY



COVER No. 50

NOTES 17 & 18

NOTE 13

NOTE 21

WIRING

NOTE 14

MECHANISM, PULSING

COIN-ACCEPTOR

