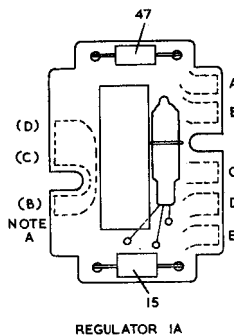
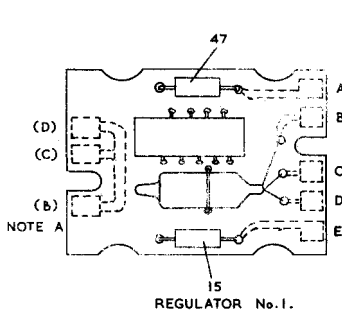
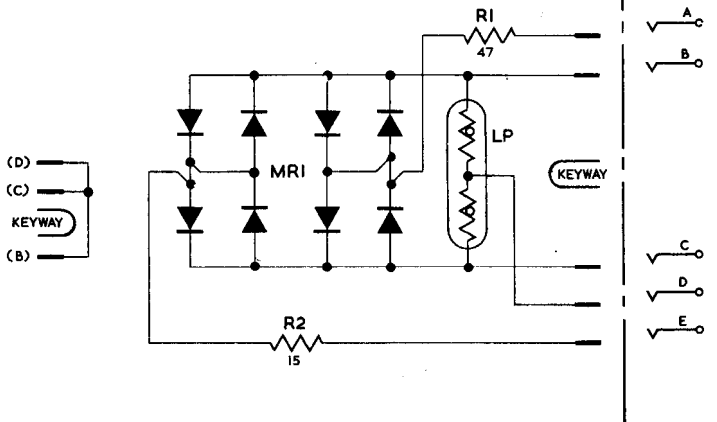


REGULATORS No.1 & IA



NOTE :-

1. THE REGULATOR IS MADE INOPERATIVE WHEN REVERSED IN THE JACK IN THAT CONDITION, JACK POINTS B,C & D ARE CONNECTED TOGETHER.

PO.E.D.
S. BCH.

PAPER :- W
CIRCULATION :-
GENERAL

ISSUE

B	REDRAWN ON NEW FORMAT. PHYSICAL LAYOUTS ADDED.	24-2-66
A	REGULATOR No IA ADDED F.J.H.	23-8-63
	J.H.COMBRIDGE S1	6-2-59