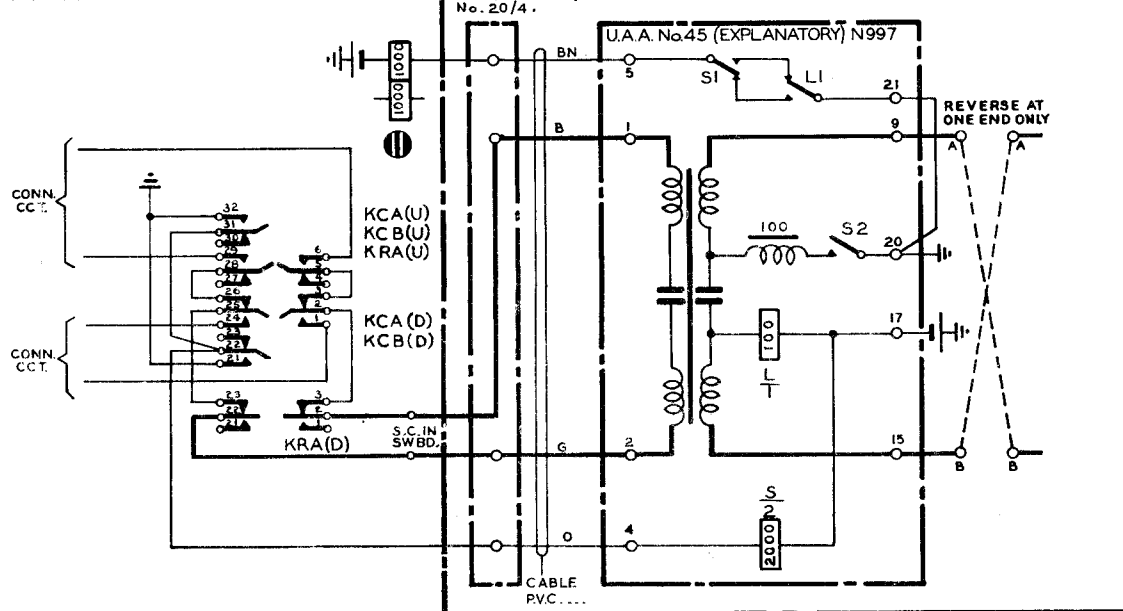


- NOTES:-
- (A) AT EACH POINT THE PAIR OF WIRES SHOULD BE INSULATED AND TIED BACK INTO FORM.
 - (B) DISCONNECT WIRE FROM KCA 26 AT INDICATOR. PROVIDE WIRE FROM THIS INDICATOR TAG TO B.T. No. 20/... TO BE MOUNTED IN SWITCHBOARD.
 - (C) DISCONNECT COMMON EARTH CONNECTION AT INDICATOR CONNECT TO KCA 21
 - (D) PROVIDE CABLE P.V.C. --- TO U.A. No. 45 AS SHOWN
 - (E) PROVIDE WIRE, SWBD. --- FROM EXTENSION ON STRIP CONNEXION IN SWITCHBOARD TO B.T. No. 20/...

- NOTES:-
- THE INTER-P.B.X. EXTENSION SHOULD BE TERMINATED ON THE FIRST EXTENSION EQUIPMENT.
 - N 705 SHOWS SIGNALLING RESISTANCE LIMITS FOR VARIOUS VOLTAGES.
 - WHERE SIGNALLING REQUIREMENTS DEMAND, ADDITIONAL SIGNALLING BATTERIES SHOULD BE CONNECTED BETWEEN U.A.A. T.M.L. 17 & P.B.X. BATTERY.
 - FOR TRANSMISSION LIMITS SEE E.I. TRANSMISSION TELEPHONES B3590.
 - NIGHT SERVICE. WHEN IT IS REQUIRED TO EXTEND AN EXCHANGE LINE ON NIGHT SERVICE OVER THE INTERSWITCHBOARD EXTENSION TO THE DISTANT SWITCHBOARD, CONNECT AS SHOWN. KNX IS A KEY No. 68 IN KEY MOUNTING NAA SCREWED TO THE SIDE OF THE SWITCHBOARD KEY MOUNTING TO BE ENGRAVED "NIGHT." THE DISTANT TERMINATION SHOULD BE TO SIGNALLING GROUP A (ii)

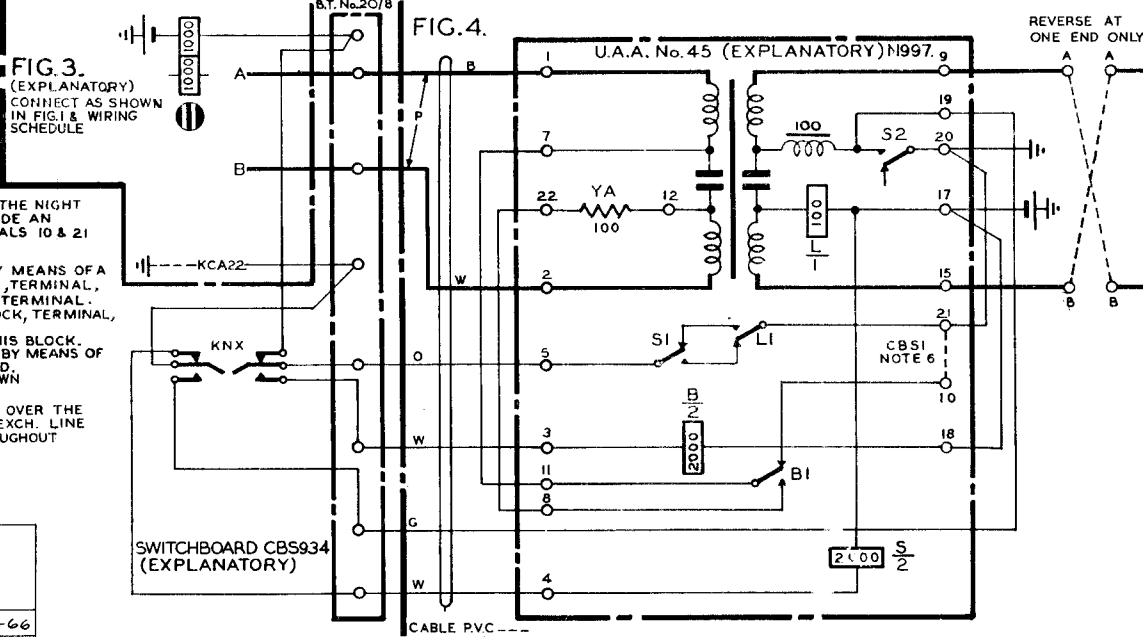
- ON A C.B.S.No.1 INSTALLATION, WHERE THE NIGHT SERVICE FACILITY IS REQUIRED, PROVIDE AN ADDITIONAL STRAP BETWEEN TERMINALS 10 & 21 ON THE U.A. No. 45.
- WHERE SWITCHBOARD IS CONNECTED BY MEANS OF A FLEXIBLE CORD, FIT ADDITIONAL BLOCK, TERMINAL, No. 20/... ADJACENT TO MAIN BLOCK, TERMINAL. CABLE A & B WIRES FROM MAIN BLOCK, TERMINAL, TO THIS BLOCK, TERMINAL, No. 20/... MAKE OTHER CONNEXIONS BETWEEN THIS BLOCK, TERMINAL No. 20/... AND SWITCHBOARD BY MEANS OF 2 WAY OR 4 WAY CORDAGE AS REQUIRED. CABLE FROM BLOCK, TERMINAL, AS SHOWN
- WHEN AN EXCHANGE CALL IS EXTENDED OVER THE INTERSWBD. EXTN. THE APPROPRIATE EXCH. LINE HOLD KEY SHOULD BE OPERATED THROUGHOUT THE CALL.

FIG.1



WITH FACILITY FOR EXTENDING AN EXCHANGE LINE ON NIGHT SERVICE TO DISTANT SWITCHBOARD.

FIG.3. (EXPLANATORY) CONNECT AS SHOWN IN FIG.1 & WIRING SCHEDULE



P.O.E.D.

S BCH.

PAPER:- W

CIRCULATION:-

GENERAL

ISSUE	DESCRIPTION	DESIGNER	DATE
B	NEW FORMAT. MINOR AMENDMENTS.	J.L.R.	11-5-66
A	KEY DESIGNS. AMENDED TO LD 84-86	J.B. R.W.B.	11-6-56
	P.A. MARCHANT S3/2		7-4-55