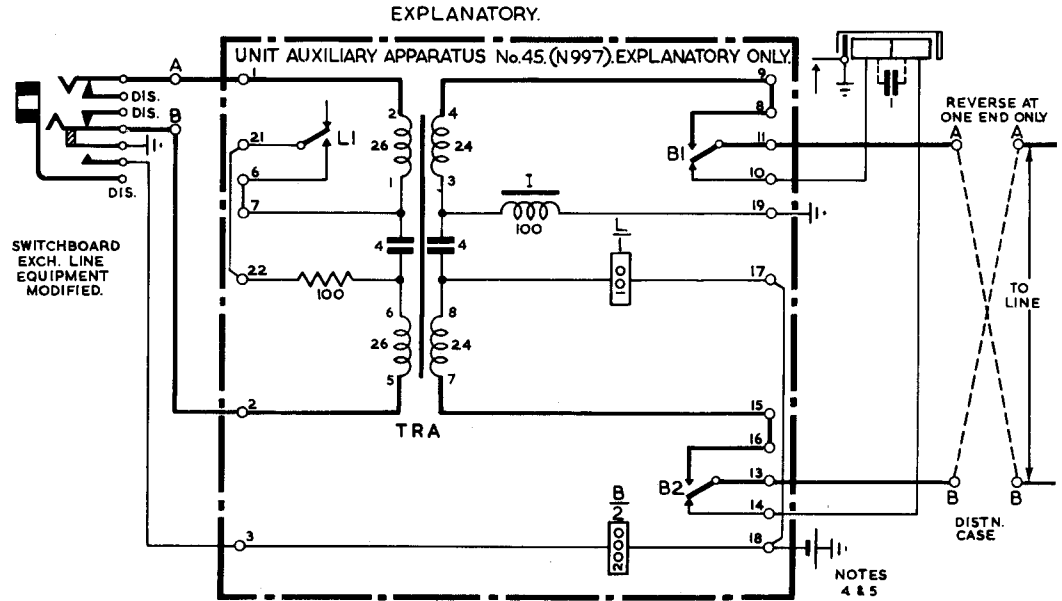


TERMINATION OF INTER-P.B.X. EXTENSION
SWITCHBOARDS N1070 AND AT3796.
SIGNALLING GROUP. A(ii):G/AC IN; A/WE OR G/AC OUT.

N778.
ISSUE B
SUPERSEDES
N968 FIG.1
FOR NEW WORK.

NOTES:-

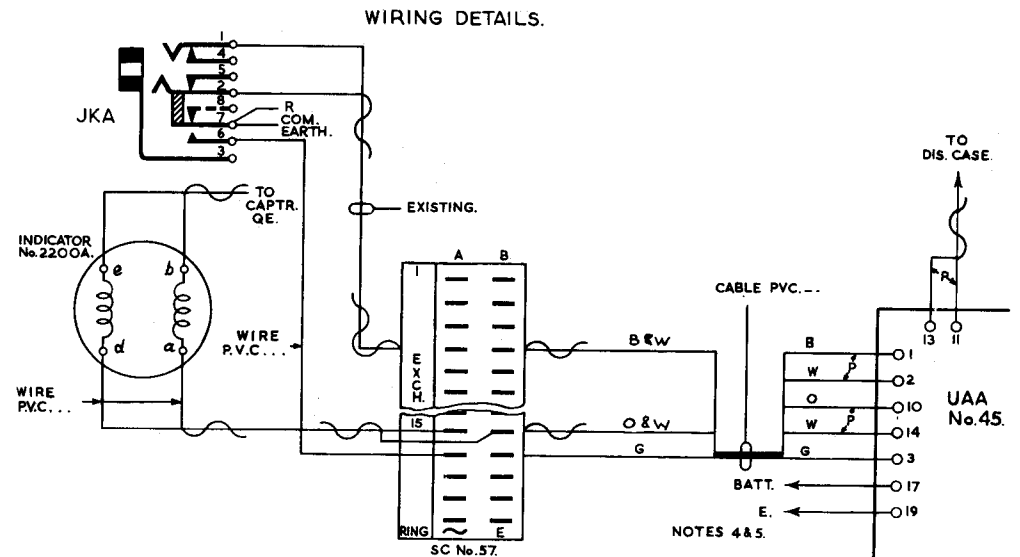
1. TERMINATE TO THIS DIAGRAM WHEN THE SWITCHBOARD IS TO BE USED FOR ANSWERING EXCHANGE LINES EXTENDED ON NIGHT SERVICE FROM THE DISTANT SWITCHBOARD OVER THE INTERSWITCHBOARD EXTN.
2. WHEN THIS FACILITY IS NOT REQUIRED OR WHEN AN AMPLIFIED CIRCUIT IS USED THE TERMINATION SHOULD BE TO N775.
3. TO EXTEND AN EXCHANGE LINE FROM THE SWITCHBOARD TO THE DISTANT PBX ON NIGHT SERVICE, OPERATE THE SWITCHBOARD NIGHT SERVICE KEYS AND EXTEND THE EXCHANGE LINE TO THE INTERSWITCHBOARD EXTENSION ON ONE OF THE NIGHT SERVICE CORD CIRCUITS.
4. BATTERY CONNEXIONS TO UAA No. 45 TO BE MADE VIA A FUSE No. 35/1 FITTED ON SPARE FUSE MOUNTING IN SWITCHBOARD (SEE NOTE 6).
5. WHERE SIGNALLING REQUIREMENTS DEMAND, VOLTAGE OF SIGNALLING BATTERY MAY BE INCREASED BY PROVIDING ADDITIONAL SIGNALLING BATTERY BETWEEN U.A.A. T.M.L. 17 & PBX BATTERY.
6. SEE DIAGRAM N705 TABLE 1 FOR SIGNALLING RESISTANCE LIMITS WITH VARIOUS VOLTAGES.
7. FOR TRANSMISSION LIMITS SEE E.I. TRANS. TELES. B3590.
8. ON SWITCHBOARDS AT1810 & CB887 THE SERIES RELAY IN THE EXCHANGE LINE CIRCUIT SHOULD BE SHORT CIRCUITED AND ITS CONTACTS DISCONNECTED.



RECOVER	SHIFT	PROVIDE
WIRES TO a AND d ON INDICATOR. TIE BACK INTO FORM.	EARTH WIRES FROM SLEEVE TO AUXILIARY SPRING (?) ON JKA.	WIRE FROM a AND d OF INDICATOR TO SPARE TAGS ON SC No.57 AND UAA No. 45 AS SHOWN. CABLE BETWEEN TAGS 11 & 13 OF UAA No.45 AND DIS. CASE. BATTERY AND EARTH TO TAGS 17 & 19 OF UAA No.45 RESPECTIVELY.

STRAPS ON UAA No. 45.

6 - 7	17 - 18
8 - 9	21 - 22
15 - 16	



P.O.E.D.

S. BCH.

PAPER :- W

CIRCULATION:-
GENERAL

ISSUE			
B	NEW FORMAT MINOR AMENDMENTS	FOR	11.5.66
A	NOTE 1. AMENDED	R.W.B.	25.7.56
	P. A. MARCHANT	S 3/2	13.12.54