

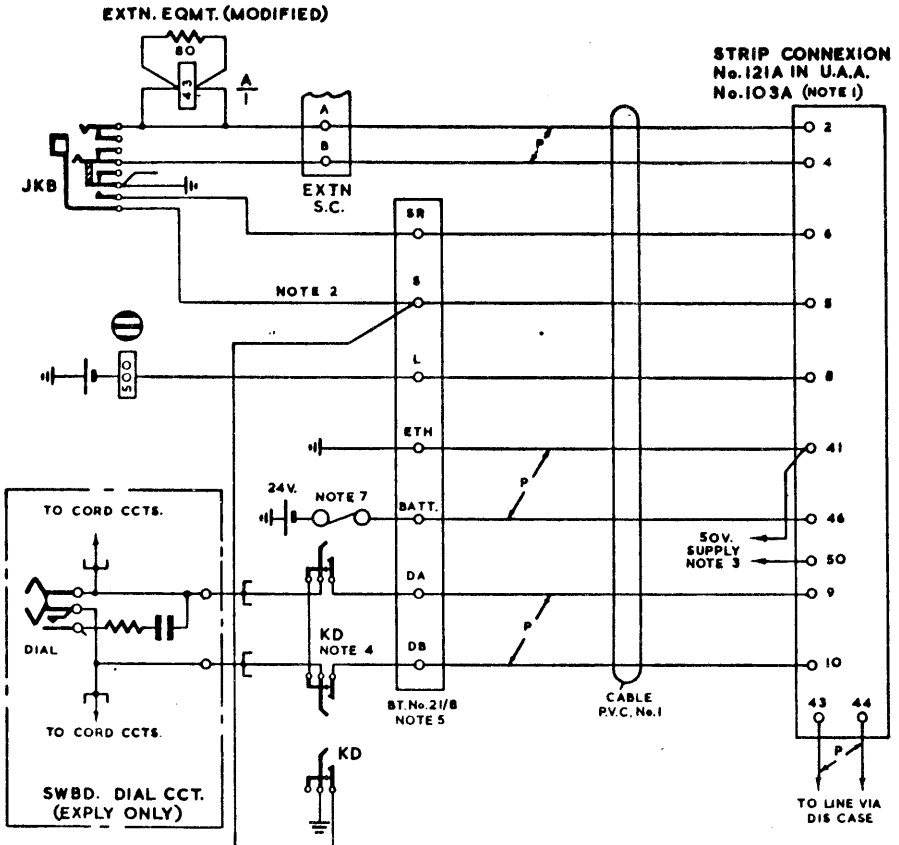
# TERMINATION OF INTER-P.B.X. EXTN. OR INTER-P.B.X. PRIVATE CCT. AT SWBD. CB 873

N772

SIGNALLING GRP. J, (S.C.D.C.) FOR DIALLING TO P.A.B.'S.

NOTES:-

1. See Dgm LD202 for wiring of U.A.A. No.103A.
2. Omit connexion JKB(3) to B.T. term. 'S' for Inter-P.B.X. Extns. or for Inter-P.B.X. Private ccts. where omission of Exchange Prohibition is authorised.
3. For provision of 50V Power Supply see Works Spec. 52086.
4. KD (Key No. 253) in a Key Mtg. NAA screwed to side of Swbd.  
1 Key per circuit.
5. B.T. mounted inside Swbd.
6. Additional wiring to be in Wire P.V.C. No. 3 2W/6  $\frac{1}{2}$  lbs.
7. Fuse No.44A/0.5 in a spare fuse position on Swbd. Fuse Mtg.



P.O. TELECOMMS. HQRS.  PAPER-W CIRCULATION: GENERAL	ISSUE		
		<i>197.116.</i>	TD I.B.2. 10. 7. 68.