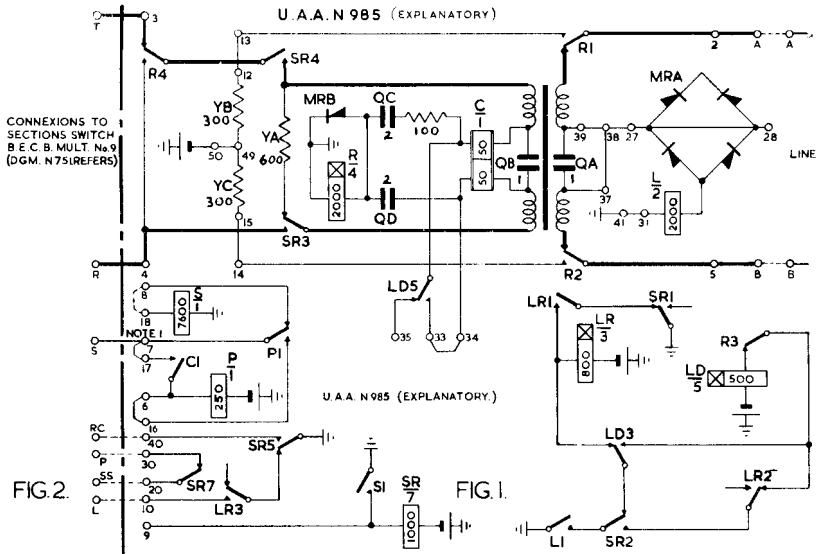


TERMINATION OF PRIVATE CIRCUIT AND LONG EXTENSIONS.

N758

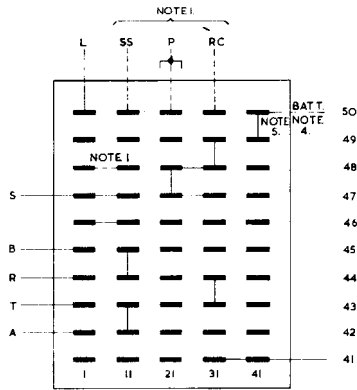
ISSUE B

SECTIONS SWITCH B.E.C.B. MULT. No. 9.
SIGNALLING GROUP G; A/BB IN. G/BB OUT



NOTES -

1. SEE N 751 FOR CONNEXION ON SECTIONS SWITCH B.E.C.B. MULT. No. 9.
2. N 705 SHOWS SIGNALLING RESISTANCE LIMITS FOR VARIOUS VOLTAGES.
3. FUSING VIA THE FUSE 35/1 MOUNTED IN SWITCHBOARD, ONE FUSE PER FOUR CCTS
4. BATTERY TO TAG 50 S.C. No. 121A TO BE WIRED VIA A SPARE NIGHT SERVICE KEY SPRINGSET.
5. WHERE SIGNALLING REQUIREMENTS DEMAND, ADDITIONAL CELLS COMMON TO ALL UNITS, SHOULD BE CONNECTED BETWEEN TAGS 49-50.



CONNEXIONS ON S.C. No. 121A UNIT AA N 985.

P.O.E.D.
S.BCH.

PAPER:-W

CIRCULATION:-
GENERAL

B	FEW FORMAT, MINOR AMENDMENTS	20.4.66
A	STRAP BETWEEN TERMS, 24-25 REMOVED	15.5.66
- G. MAHANT 13/2		20.3.67