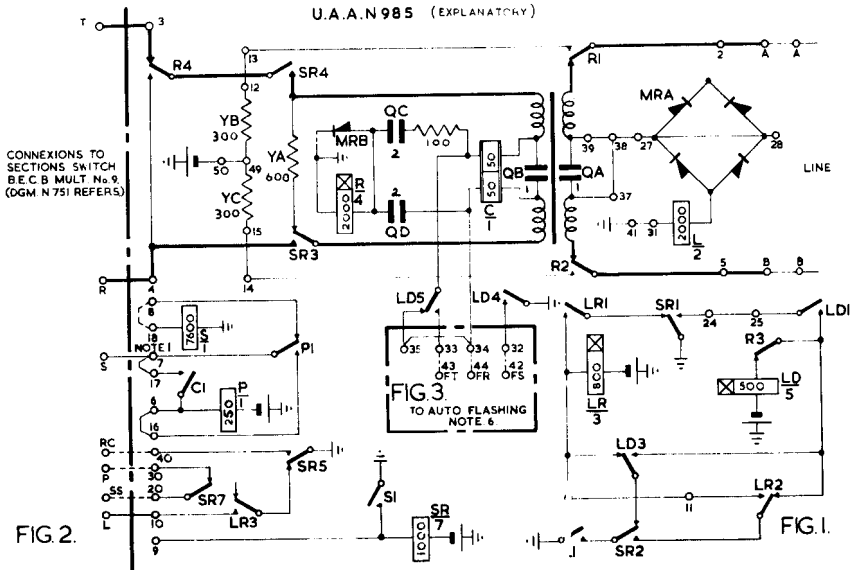


TERMINATION OF PRIVATE CCT.  
AND INTER-P.B.X. PRIVATE CCT.  
SECTIONS SWITCH B.E.C.B. MULT. No. 9.  
SIGNALLING GROUP E; G/BB B/W

N 757

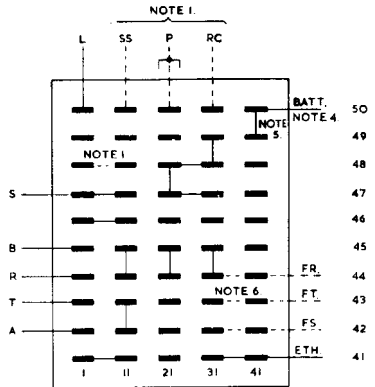
ISSUE A

SUPERSEDES FOR NEW  
WORK N985 FIG 4 (2)



NOTES:-

1. SEE N 751 FOR CONNECTIONS ON SECTIONS SWITCH B.E.C.B. MULT. No. 9
2. N 705 SHOWS SIGNALLING RESISTANCE LIMITS FOR VARIOUS VOLTAGES.
3. FUSING VIA THE FUSE 35/I MOUNTED IN SWITCHBOARD, ONE FUSE PER FOUR CCTS
4. BATTERY TO TAG 50 S.C. No. 121A TO BE WIRED VIA A SPARE NIGHT SERVICE KEY SPRINGSET
5. WHERE SIGNALLING REQUIREMENTS DEMAND, ADDITIONAL CELLS COMMON TO ALL UNITS, SHOULD BE CONNECTED BETWEEN TAGS 49-50.
6. WHERE SUPERVISORY FLASHING FACILITIES ARE TO BE PROVIDED, STRAP TAGS 32-42, 33-43, 34-44 CONNECT AS SHOWN IN N990 FIG. 2
7. WHERE FALSE CLEARS OR TRANSMISSION FADING OCCUR, MODIFY UAA IN ACCORDANCE WITH MODIFICATION DETAILS SHOWN IN DGM N717 AND AFFIX LABEL WHITE No 398 A MARKED "UAA MODIFIED, SEE N717" TO UAA BASE PLATE.



PRO.D  
S. BCH.

PAPER:-W

CIRCULATION:-  
GENERAL

A	NEW FORMAT WITH AMENDMENTS <i>GR</i>	27-4-55
A	P.A. MANTHANT	20-4-55