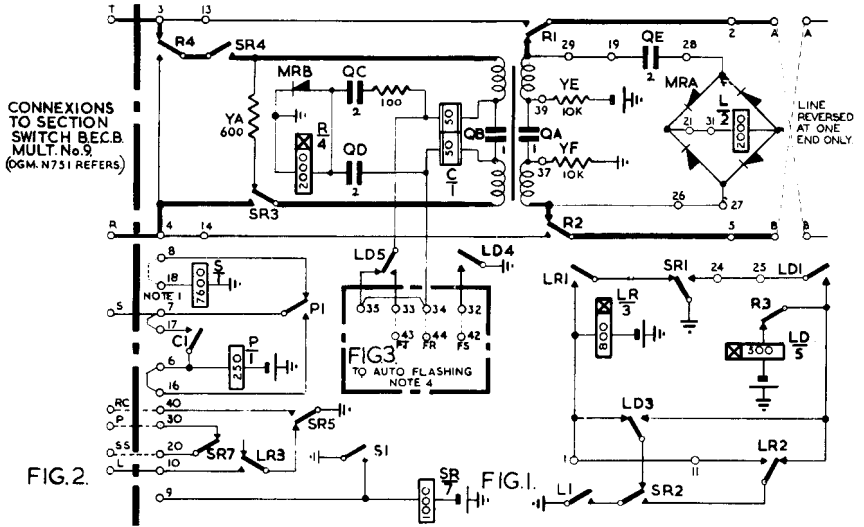


TERMINATION OF PRIVATE C.C.T.
& INTER-P.B.X. PRIVATE C.C.T.
SECTIONS SWITCH BECB MULT No 9
SIGNALLING GROUP D: G/A/C B/W.

N756

ISSUE A
SUPERSEDES FOR NEW WORK
N985 FIG 466)

U. A. A. N 985 (EXPLANATORY)



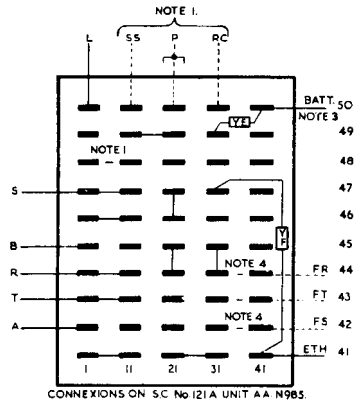
NOTES:-

- 1 SEE N751 FOR CONNEXIONS ON SECTIONS SWITCH BECB MULT No 9
- 2 FUSING VIA THE FUSE 35(I) MOUNTED IN SWITCHBOARD, ONE FUSE PER FOUR C.C.TS.
- 3 BATTERY TO TAG 50 S.C. No. 121A TO BE WIRED VIA A SPARE NIGHT SERVICE KEY.
- 4 WHERE SUPERVISORY FLASHING FACILITIES ARE TO BE PROVIDED, STRAP TAGS 32-42, 33-43, 34-44, CONNECT AS SHOWN IN N990 FIG. 2.

REQUISITIONED SEPARATELY

QE- CAPACITOR MC No 102A ON CLIP No. 42.

YE & YF-WETTING RESISTORS-CARBON No 15 GD-IOK



PO.ED
S. BCH.

PAPER:- W

CIRCULATION:-
GENERAL

A	NEW FORMAT. MINOR AMENDMENTS <i>EXR</i>	20-4-64
	P. A. MARCHANT 5/3/2	20-3-64