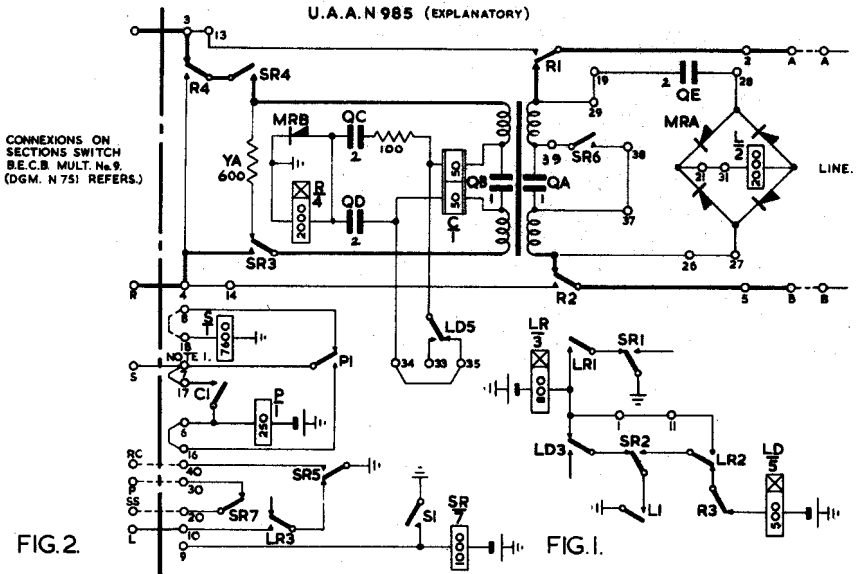


TERMINATION OF PRIVATE CCT.  
AND INTER P.B.X. PRIVATE CCT.  
SECTIONS SWITCH B.E.C.B. MULT. No. 9.  
SIGNALLING GROUP C: G/AC IN; LOOP OUT.

N 755.

ISSUE A  
SUPERSEDES FOR NEW  
WORK, N 985 FIG. 4. (c)

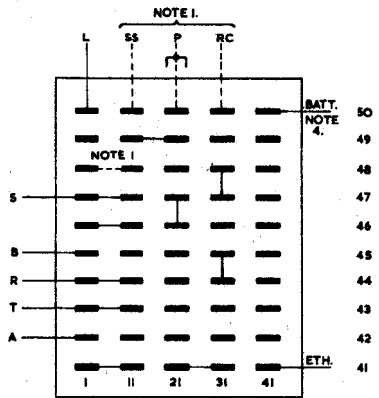


NOTES:-

1. SEE N 751 FOR CONNEXIONS ON SECTIONS SWITCH B.E.C.B. MULT. No. 9.
2. SIGNALLING LIMITS ARE DEPENDANT UPON DISTANT APPARATUS.
3. FUSING. VIA THE FUSE 35/1 MOUNTED IN SWITCHBOARD, ONE FUSE PER FOUR CCTS.
4. BATTERY TO TAG 50 S.C. No. 121A TO BE WIRED VIA A SPARE NIGHT SERVICE KEY SPRINGSET.

ADDITIONAL EQUIPMENT TO BE REQUISITIONED SEPARATELY.

QE - CAPACITOR MC. No. 102A ON CLIP No. 42.



P.O.E.D.  
S. BCH.

PAPER:- R

CIRCULATION:-  
RESTRICTED

A		NEW FORMAT. MINOR AMENDMENTS. WAS GENERAL CIRCULATION.	20-4-66
		P.A. MARCHANT 53/2	11-4-56