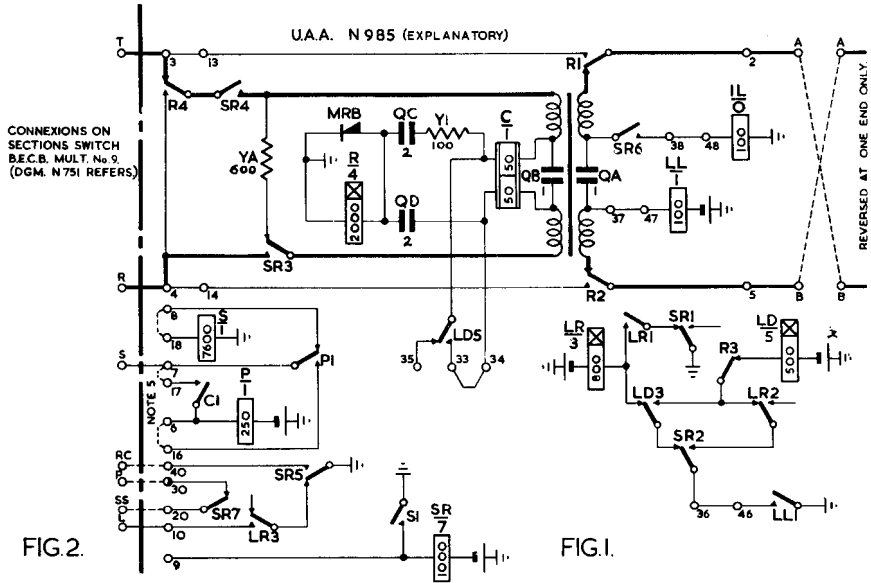


TERMINATION OF INTER-P.B.X. PRIVATE CCT,
AND INTER-P.B.X. EXTN.
SECTIONS SWITCH B.E.C.B. MULT. No. 9.
SIGNALLING GROUP A(i); A/WE IN; A/WE OR G/AC OUT.

N 752

ISSUE A

SUPERSEDES FOR NEW WORK N 985 FIG. 4.62.

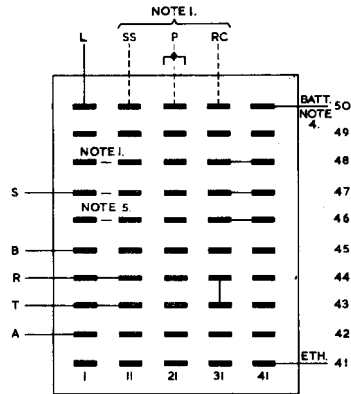


NOTES:—

1. SEE N 751 FOR CONNEXIONS ON SECTIONS SWITCH B.E.C.B. MULT. No. 9.
2. N 705 SHOWS SIGNALLING RESISTANCE LIMITS FOR VARIOUS VOLTAGES.
3. FUSING VIA FUSE 35/1 MOUNTED IN SWITCHBOARD, ONE FUSE PER FOUR CCTS.
4. BATTERY TO TAG 50 S.C. No. 121A. TO BE WIRED VIA A SPARE NIGHT SERVICE KEY SPRINGSET.
5. FOR INTER-P.B.X. EXTN. OMIT STRAPS 6-16 & 7-17.

ADDITIONAL EQUIPMENT TO BE REQUISITIONED SEPARATELY.

- IL — COIL RETARD No. 3419.
LL — RELAY No. 5875.



CONNEXIONS ON S.C. No. 121A UNIT A.A. N 985.

P.O.E.D
S BCH.

PAPER:- W

CIRCULATION:-
GENERAL

A	NEW FORMAT. MINOR AMENDMENTS.	S.L.R.	20-4-66
	P. A. MARCHANT	S 3/2	8-3-56