

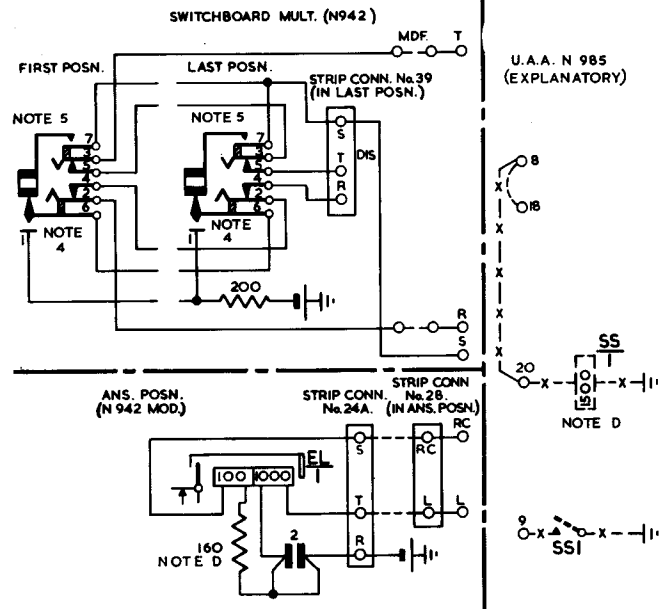
TERMINATION OF PRIVATE CCT. INTER P.B.X.  
PRIVATE CCT. & INTER P.B.X. EXTENSION  
SECTION SWITCH B.E.C.B. MULT. No. 9  
WITH INDICATORS No. 22B OR No. 3100A2

N 751

ISSUE B

SUPERSEDES FOR NEW WORK N985 FIG. 5 AND FIG. 6

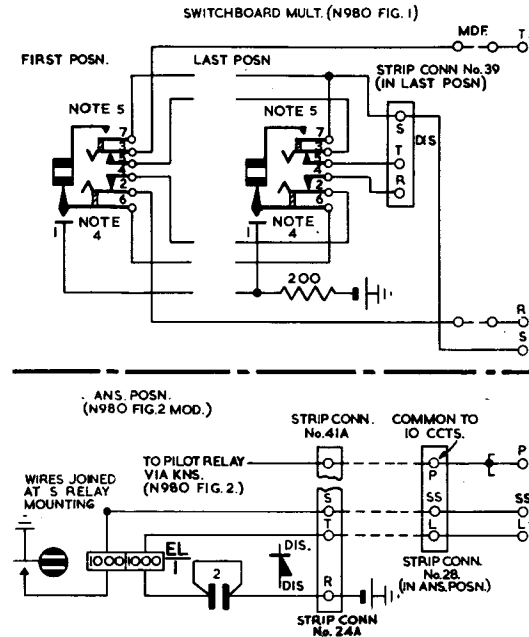
FIG. 1 USING INDICATOR No. 22B



NOTES:-

- A. FOR INTER P.B.X. EXTNS. & WHERE ALL CORD CCT. SLEEVE RELAYS ARE RELAYS No. 50B... FIT RELAYS No. 513A IN SLEEVE CCTS. OF ALL EXCH. LINES AS SHOWN IN N942
- B. FOR INTER P.B.X. EXTNS. & WHERE ALL CORD CCT. SLEEVE RELAYS ARE RELAYS No. 22L, FIT RELAY No. 7815 (SS) IN U.A.A. N985. OMIT STRAP 8-18 (WHERE PROVIDED) & WIRE AS SHOWN -X-X-
- C. FOR INTER P.B.X. EXTNS. & WHERE CORD CCT. SLEEVE RELAYS ARE MIXED TYPES, REPLACE ALL RELAYS No. 22L BY RELAYS No. 50B & PROCEED AS IN 'A'
- D. EQUIPMENT TO BE REQUISITIONED SEPARATELY WHEN REQUIRED.  
SS - RELAY No. 7815  
RESISTOR COIL No. 9 - 160Ω.

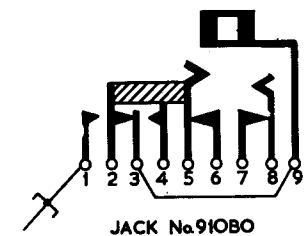
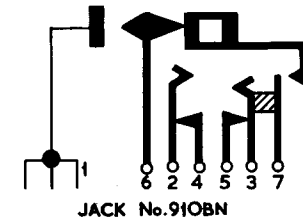
FIG. 2 USING INDICATOR No. 3100A2



NOTES:-

1. VOLTAGE TO BE NOT LESS THAN 20V.
2. SEE N752 - N758 FOR CONNEXIONS ON U.A.A. N985 FOR THE VARIOUS SIGNALLING GROUPS.
3. (a) RINGING:- WHEN THE RINGING SUPPLY IS OBTAINED OVER A RINGING LEAD FROM A PUBLIC EXCH. DIFFICULTY MAY BE EXPERIENCED WITH INITIALLY OPERATING RELAY 'R' DUE TO RESISTOR BULB AT THE EXCHANGE CAUSING AN UNBALANCE OF THE SHUNTING PATH ACROSS RELAY 'R'. IN THESE CIRCUMSTANCES A RESISTOR BULB, 660 OHMS, SHOULD ALSO BE INSERTED IN THE RINGING RETURN LEAD.  
(b) 'TIP' SIDES OF HAND GENERATOR TO BE EARTHED. POWER RINGING TO BE ON 'RING' & RINGING RETURN ON 'TIP'
4. TAG 1 COMMONED ON STRIP OF JACKS.
5. TO REPLACE JACK No. 910BN BY JACK No. 910BO SHIFT:-

WIRE FROM JACK No. 910BN	TAG 6 TO JACK No. 910BO	TAG 2	TAG 5	TAG 6	TAG 7	TAG 8	TAG 9
" " " " " 2	" " " " "	" " " " "	" " " " "	" " " " "	" " " " "	" " " " "	" " " " "
" " " " " 4	" " " " "	" " " " "	" " " " "	" " " " "	" " " " "	" " " " "	" " " " "
" " " " " 5	" " " " "	" " " " "	" " " " "	" " " " "	" " " " "	" " " " "	" " " " "
" " " " " 3	" " " " "	" " " " "	" " " " "	" " " " "	" " " " "	" " " " "	" " " " "
" " " " " 7	" " " " "	" " " " "	" " " " "	" " " " "	" " " " "	" " " " "	" " " " "



TAGS 3 AND 9 ARE STRAPPED BY MANUFACTURER.  
TAG 1 COMMONED ON STRIP BY MANUFACTURER.

P. O. E. D.  
S BCH.

PAPER: W

CIRCULATION:-  
GENERAL

ISSUES			
B	NEW FORMAT. MINOR AMENDMENTS.	302	6-4-66
A	PANEL 3 ADDED. F. L. R.		9-12-65
	P. A. MARCHANT 53/2		8-3-56