

TERMINATION OF INTER - P.B.X.  
PRIVATE CIRCUIT,  
SWITCHBOARD C.B.935.

SIGNALLING GROUP C; G/AC. IN; LOOP OUT.

NOTES:-

1. WHERE 30 MA<sup>S</sup> LINE CURRENT IS AVAILABLE, CONNECT AS FOR A D.E.L.
2. WHERE 30 MA<sup>S</sup> LINE CURRENT IS NOT AVAILABLE AND...
  - (a) WHERE RINGING FROM DISTANT END IS SATISFACTORY, CONNECT VIA U.A.A. CBS 536 DIRECTLY ON AN EXCHANGE LINE POSITION.
  - (b) WHERE RINGING THROUGH THE TRANSFORMER IS UNSATISFACTORY, CONNECT AS SHOWN.
3. WHERE AN EXCHANGE LINE POSITION IS NOT AVAILABLE, CONNECT AS SHOWN. IN FIGS. 3 & 4
4. ALL RECOVERED WIRES TO BE INSULATED AND TIED BACK IN FORM.

RECOVER.	PROVIDE.
INDICATOR 4000A OR 400B INSULATE & TIE BACK WIRES FROM TAGS a & d.	INDICATOR 2200A (AND CAPACITOR MC101 IN CLIP No. 22 WHEN EXTN. POSITION USED, SEE NOTE 3) WIRE TAGS b & c TO CAPACITOR, AND TAGS a & d TO BT 20/...

(USING EXCHANGE LINE POSITION. SEE NOTES 1 & 2)

FIG. 1.

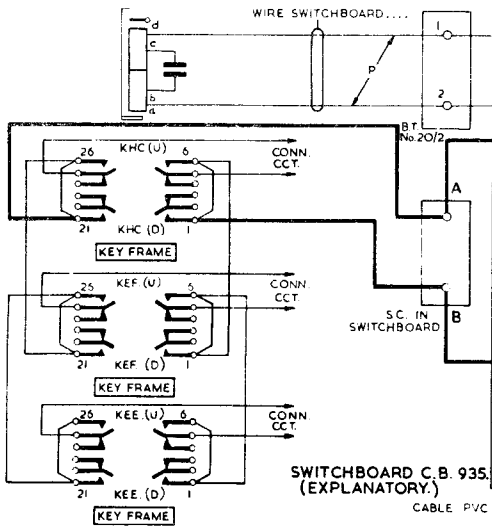
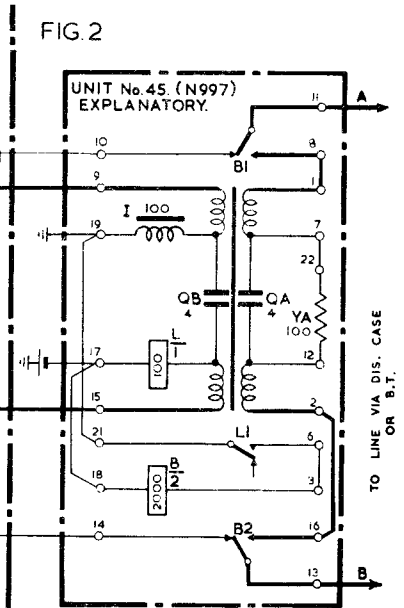


FIG. 2



P.O.E.D.  
S.BCH

ISSUES		
A	NEW FORMAT. MINOR AMENDMENTS. WAS GENERAL CIRCULATION.	20-4-66
	P.A. MARCHANT	17-5-58

PER: R  
ULATION:  
RICTED

USING EXTENSION POSITION.

FIG. 3.

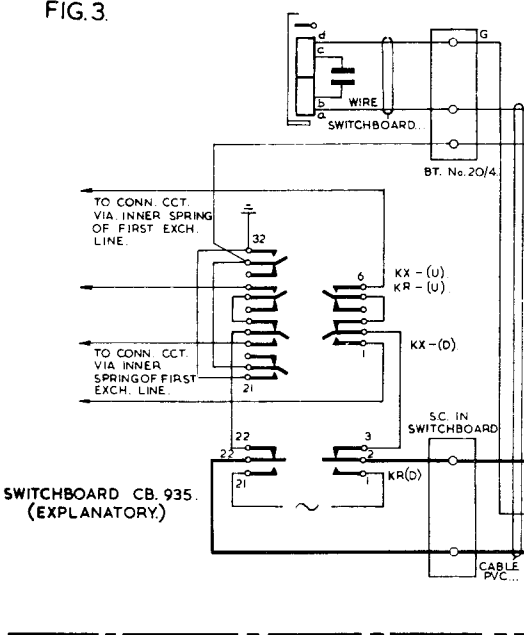
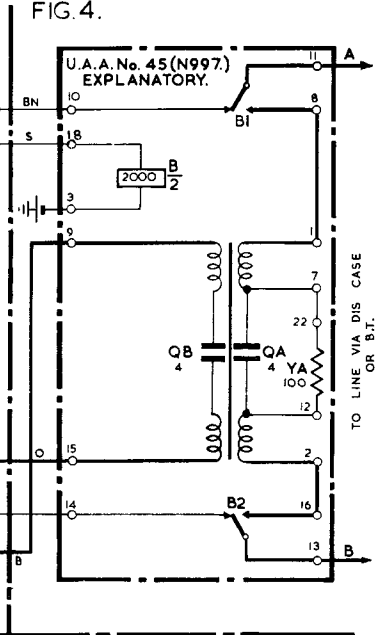


FIG. 4.



WIRING DETAILS.

KEY	1st. EXCHANGE LINE	1st. EXTENSION	KEY	RECOVER.	PROVIDE.	SHIFT.	
KHA	[KEY FRAME]	[KEY FRAME]	KRA	STRAP 4-29 WIRES 6, 26 & 28	$\begin{matrix} 3+9 \\ 12 \\ 6 \end{matrix}$ $\begin{matrix} 2+4 \\ 6 \end{matrix}$ $\begin{matrix} 1+3 \\ 4 \end{matrix}$		
				NOTE 4.	KHA 4 → KRA 6 KHA 24 → KRA 26 NOT ON 1+3.		
KEB	[KEY FRAME]	[KEY FRAME]	KXB	STRAP 4-32 WIRES TO 1, 6, 22, 24, 29 & 31	$\begin{matrix} 3+9 \\ 12 \\ 6 \end{matrix}$ $\begin{matrix} 2+4 \\ 6 \end{matrix}$ $\begin{matrix} 1+3 \\ 4 \end{matrix}$		
				NOTE 4.	KEB 4 → KXB 6 KEB 24 → KXB 29 KEB 3 → KXB 1 KEB 23 → KXB 24 NOT ON 1+3 OR 2+4		
KEA	[KEY FRAME]	[KEY FRAME]	KXA	STRAP 4-32 WIRES TO 1, 6, 22, 24, 29 & 31. DISCONNECT WIRE FROM KXA 4 AT INDICATOR	$\begin{matrix} 3+9 \\ 12 \\ 6 \end{matrix}$ $\begin{matrix} 2+4 \\ 6 \end{matrix}$ $\begin{matrix} 1+3 \\ 4 \end{matrix}$		
				INDICATOR 400B	KEA 4 → KXA 6 KEA 24 → KXA 29 KEA 3 → KXA 1 KEA 23 → KXA 24 WIRES FROM KXA 22 & 24 TO BT. No. 20/4	WIRE FROM: KXA 27 TO KXA 32	
BT No. 20/4			INDICATOR 2200A & CAPACITOR MC No. 101 & WIRING FROM BT. INDICATOR TO BT. No. 20/4				BT. No. 20/4