

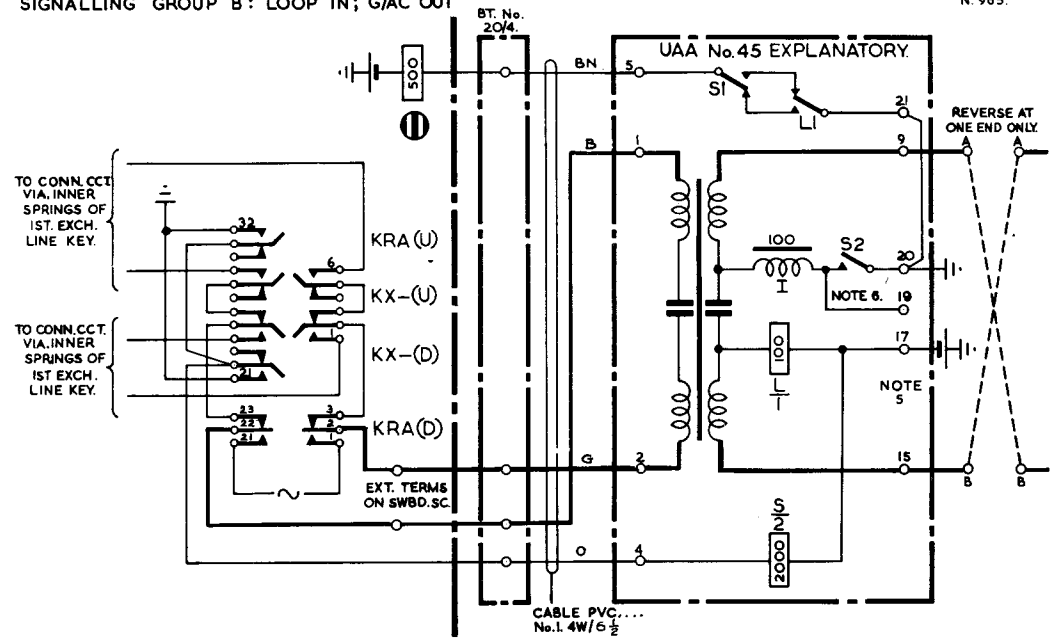
TERMINATION OF INTER - P. B. X PRIVATE CIRCUIT.
OR PRIVATE CIRCUIT SWITCHBOARD CB 935.
SIGNALLING GROUP A (I); A/WE IN; A/WE OR G/AC OUT.
SIGNALLING GROUP B: LOOP IN; G/AC OUT

N740.

ISSUE B
SUPERSEDES
FOR NEW WORK
N. 965.

NOTES.

1. DISCONNECT WIRE FROM KXA 4 AT INDICATOR. WIRE FROM THIS TAG OF INDICATOR TO B.T. No. 20/4 MOUNTED IN SWITCHBOARD.
2. ALL RECOVERED WIRES SHOULD BE INSULATED AND TIED BACK INTO FORM.
3. WHERE SWITCHBOARD IS CONNECTED BY MEANS OF A FLEXIBLE CORD, FIT B.T. No. 20/2 ADJACENT TO MAIN BLOCK, TERMINAL. CONNEXIONS BETWEEN THIS BLOCK, TERMINAL AND BLOCK, TERMINAL IN SWITCHBOARD BY ADDITIONAL CORDAGE LACED TO MAIN CORD.
4. N705 SHOWS SIGNALLING RESISTANCE LIMITS FOR VARIOUS VOLTAGES.
5. WHERE SIGNALLING REQUIREMENTS DEMAND, ADDITIONAL SIGNALLING BATTERIES SHOULD BE CONNECTED BETWEEN U.A.A. T.M.L. 17 & P.B.X. BATTERY.
6. THIS CIRCUIT MAY BE USED FOR LOOP IN G/AC OUT, I.E. FOR LONG PRIVATE CIRCUITS BY STRAPPING TERMINALS 19 & 20 IN THE UAA No. 45.



WIRING DETAILS FOR PROVISION OF INTER-P.B.X. PRIVATE CIRCUIT SWITCHBOARDS CB 935.

KEY	1st. EXCH. LINE.	1st. EXTENSION.	KEY	RECOVER.	PROVIDE.	3+9	2+4	1+3	SHIFT.
KHA			KRA	STRAP 4-29 WIRES TO 6, 26 AND 28 NOTE 2.	KHA ↔ KRA 24 KHA ↔ KRA 4 NOT ON 1+3.	KRA 28 KRA 29	KRA 28 KRA 29		
KEB			KXB	STRAP 4-32 WIRES TO 1, 6, 22, 24, 29 AND 31. NOTE 2.	KEB ↔ KXB 24 KEB ↔ KXB 4 KEB ↔ KXB 23 KEB ↔ KXB 3 NOT ON 1+3 OR 2+4.	KXB 31 KXB 32	KXB 22 KXB 21		
KEA			KXA	STRAP 4-32 WIRES TO 1, 6, 22, 24, 29 AND 31. NOTE 2.	KEA ↔ KXA 24 KEA ↔ KXA 4 KEA ↔ KXA 23 KEA ↔ KXA 3	KXA 31 KXA 32	KXA 31 KXA 32	KXA 31	WIRE FROM KXA 27 TO KXA 32.
				BT. No. 20/4. ALM. INDICATOR. BATTERY COMMON.	STRAP TERMINALS 20 AND 21 ON UAA No. 45.	BT. No. 20/4.	BT. No. 20/4.	BT. No. 20/4.	

P.O.E.D

S. BCH.

PAPER :- W

CIRCULATION :-

GENERAL

ISSUE	DESCRIPTION	DATE
B	NEW FORMAT MINOR AMENDMENTS <i>JKR</i>	11-5-64
A	SUPERSESSION NOTE AMENDED J.B. G.A.A.	5-11-56
	P. A. MARCHANT S 3/2	7. 4. 55