

CIRCULARITY  
 GENERAL.  
 Suffix  
 15.12.59 A  
 Amend.  
 W.

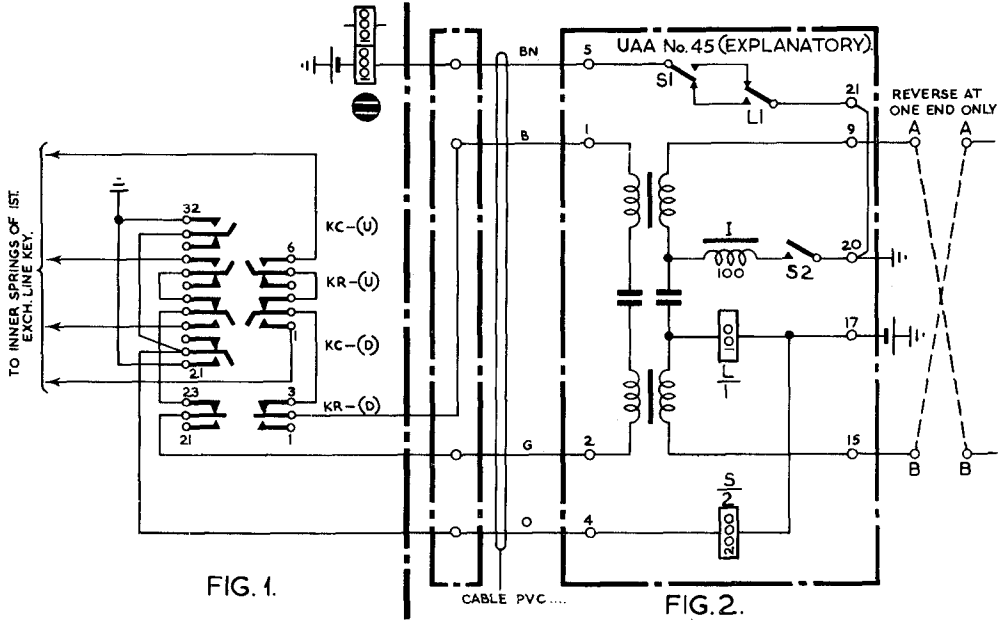
PANEL 2 KEYS REDRAWN & RE-NUMBERED. NOTE 5 AMEND.  
 PROVIDE WIRING KEY CONTACTS. RE-NUMBERED.

# TERMINATION OF INTERSWITCHBOARD PRIVATE CIRCUIT.

## SWITCHBOARD CBS N934.

### SIGNALLING GROUP A(1) A/WE IN; A/WE OR G/AC OUT.

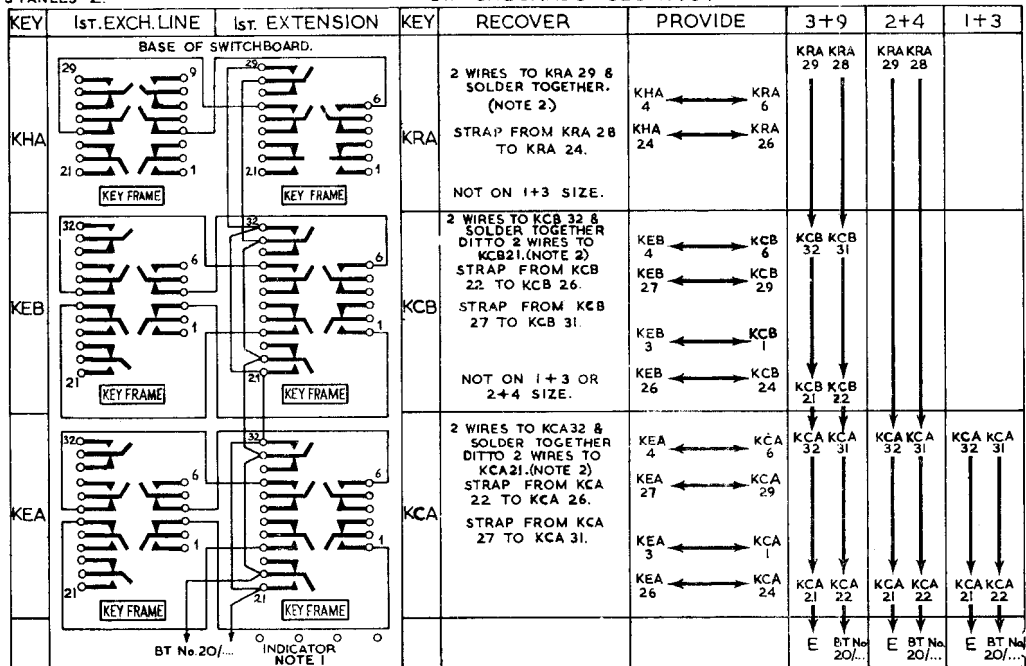
**N732.**  
 3 PANELS-1.  
 16-3-56.



N732

WIRING DETAILS FOR PROVISION OF INTERSWITCHBOARD PRIVATE CIRCUIT.  
SWITCHBOARDS CBS N934

3 PANELS - 2.



TERMINATION OF INTERSWITCHBOARD PRIVATE CIRCUIT.  
SWITCHBOARD CBS N934.  
SIGNALLING GROUP A(1) A/WE IN; A/WE OR G/AC OUT.

N732.

3 PANELS-3.  
16-3-56.

NOTES.

1. DISCONNECT WIRE FROM KCA 26 AT INDICATOR AND WIRE FROM THIS TAG OF INDICATOR TO BLOCK TERMINAL MOUNTED IN SWITCHBOARD.
2. ALL RECOVERED WIRES SHOULD BE INSULATED AND TIED BACK INTO FORM.
3. WHERE SWITCHBOARD IS CONNECTED BY MEANS OF A FLEXIBLE CORD FIT B.T. No. 20/2 ADJACENT TO MAIN BLOCK TERMINAL. CONNEXIONS BETWEEN THIS BLOCK TERMINAL AND BLOCK TERMINAL IN SWITCHBOARD BY ADDITIONAL CORDAGE LACED TO MAIN CORD.
4. N705 SHOWS SIGNALLING RESISTANCE LIMITS FOR VARIOUS VOLTAGES.
5. WHERE SIGNALLING REQUIREMENTS DEMAND, ADDITIONAL SIGNALLING BATTERIES SHOULD BE CONNECTED BETWEEN TAG 17 & THE P.B.X. BATTERY.

GENERAL.
SURF
PANEL 2 KEYS REDRAWN & RENUMBERED. NOTE 5 AMEND. PROVIDE WIRING KEY CONTACTS RENUMBERED. 15/12 57. A
AMEND 1
PAPER
W.