

TERMINATION OF PRIVATE CIRCUIT & LONG EXTENSIONS.

SWITCHBOARD AT.3796 AND SWITCHBOARD N.1070.
SIGNALLING GROUP G BALANCED/BATTERY IN: G/DC OUT.

N.728.

2 PANELS-1
20-6-56.

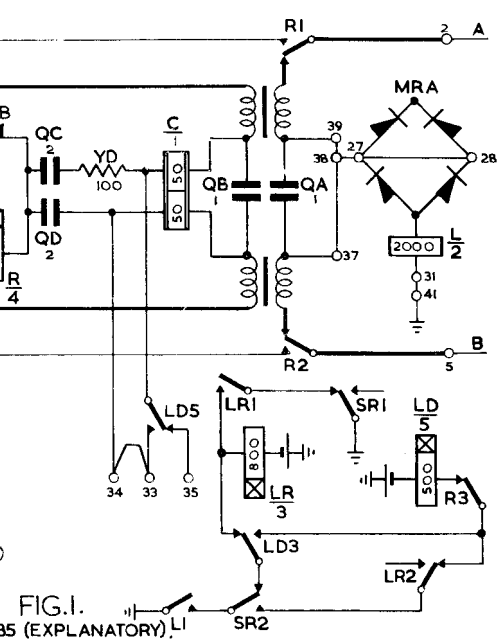
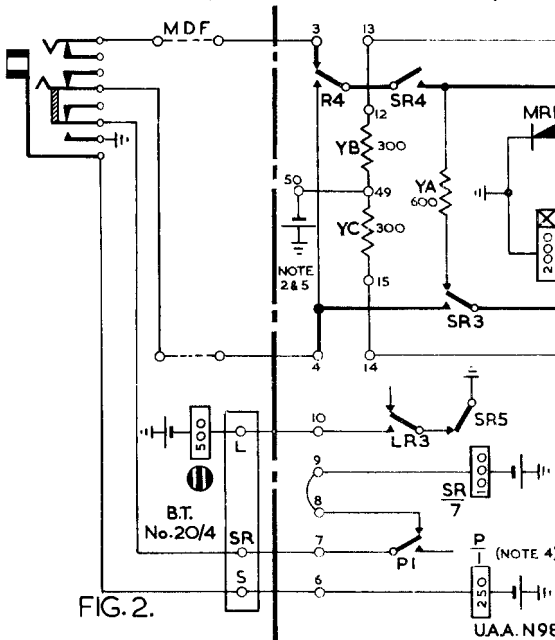


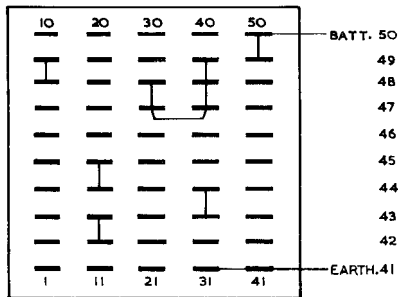
FIG. 2.

FIG. 1.

U.A.A. N985 (EXPLANATORY)

N.728.

2 PANELS - 2



NOTES:-

1. SEE N.705 FOR SIGNALLING RESISTANCE LIMITS WITH VARIOUS VOLTAGES.
2. WHERE NECESSARY ADDITIONAL CELLS, COMMON TO ALL UNITS, SHOULD BE CONNECTED BETWEEN TAGS 49 & 50.
3. SEE N.1093 FOR REVERSAL OF GENERATOR LEADS ON SWBD AT. 3796.
4. CONNECT P RELAY WHERE EXCHANGE PROHIBITION REQUIRED.
5. BATTERY SUPPLY TO BE TAKEN VIA A SPARE NIGHT SERVICE KEY CONTACT AND FUSE 35/1 PER 4 CIRCUITS.
6. BT 20/4 AS REQUIRED.