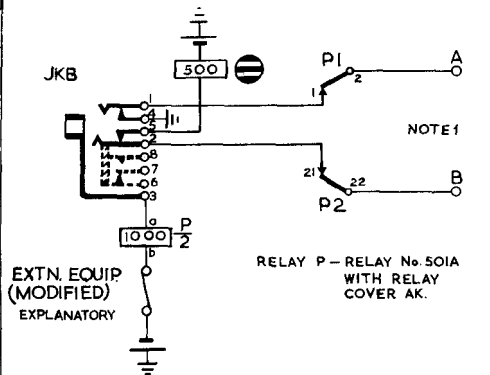


TERMINATION OF PRIVATE CIRCUIT  
 SWITCHBOARD AT3796 AND SWITCHBOARD N1070  
 SIGNALLING GROUP B: LOOP IN; G/AC OUT (NOTE1)

N725.  
 3 PANELS-1  
 15-2-55  
 SUPERSEDES N955  
 FOR NEW WORK

CIRCULATION	GENERAL
	Suffix
MINOR AMENDMENTS	9.3.62 A
Amend.	
PAPER	W.



RELAY P - RELAY No. 501A WITH RELAY COVER AK.

PROVIDE RELAY No. 501A & RELAY COVER AK. ON LOWEST MOUNTING No. 146/20C.

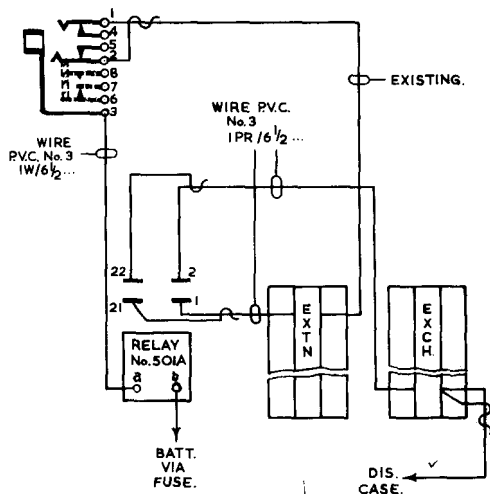
DISCONNECT ON SELECTED EXTENSION, WIRES AT DIS CASE & EXTENSION STRIP CONNEXION.

CONNECT SLEEVE OF JACK TO RELAY (a) AND FROM (b) TO SPARE FUSE ON FUSE MOUNTING.

TAGS ON EXTN. STRIP CONNEXION TO CONTACTS 1 & 21 OF RELAY.

CONTACTS 2 & 22 TO SPARE TAGS ON EXCH. LINE STRIP CONNEXION. CABLE FROM THESE TAGS TO SELECTED EXTENSION TAGS IN DIS CASE.

WIRING DETAILS.



# N725.

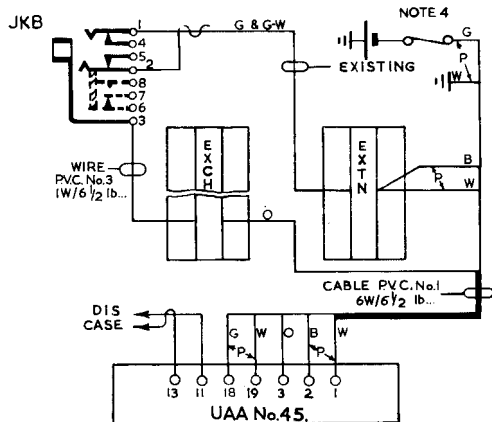
3 PANELS-2

## NOTES:-

1. THE SIGNALLING RESISTANCE LIMIT WHEN USING THE CIRCUIT TO PANEL 1 IS THE SAME AS THE EXTENSION SIGNALLING RESISTANCE LIMIT FOR THE SWITCHBOARD AT THE APPROPRIATE VOLTAGE. E.I. TRANSMISSION TELE. B3536 AND B3538 REFER.
2. THE SIGNALLING RESISTANCE LIMITS WHEN USING A UAA No.45. (PANEL 3) ARE SHOWN IN DGM.N705 TABLE 2.
3. WERE NECESSARY FOR SIGNALLING, ADDITIONAL CELLS (COMMON TO 1 TO 4 U.A.A'S No.45 WITH COMMON FUSE, SEE NOTE 4), MAY BE INSERTED IN PLACE OF STRAP BETWEEN TERMINALS 17 & 18.
4. FUSE No.44 A/1, COMMON TO 1 TO 4 U.A.A.'S No.45.

WIRING SCHEDULE PANELS 2&3	
RECOVER.	PROVIDE.
WIRES FROM DIS. CASE TO TAGS ON EXTN. STRIP CONNEXIONAT BOTH ENDS.	WIRE FROM SLEEVE OF JACK TO SPARE TAG ON EXCHANGE LINE STRIP CONNEXION. CABLE FROM THIS TAG TO TERMINAL 3 FROM EXTN. S.C. TO TERMINALS 1&2, FROM BATTERY VIA SPARE FUSE ON FUSE MTG. TO TERMINAL 18 AND FROM EARTH BUS BAR TO TERMINAL 19, CABLE 'FROM' TERMINALS 11 & 13 TO DIS. CASE EXTN. TERMINALS.

## WIRING DETAILS. FOR PANEL 3



STRAPS ON UAA No.45.	
6 - 7	14 - 15
9 - 10	21 - 22
17 - 18	

# TERMINATION OF PRIVATE CIRCUIT.

N725.  
3 PANELS-3.  
15-2-55  
SUPERSEDES N955  
FOR NEW WORK

SWITCHBOARD AT 3796 AND SWITCHBOARD N1070  
SIGNALLING GROUP B. LOOP IN; G/A C OUT.  
EXPLANATORY

GENERAL

9.3.62 A

MINOR AMENDMENTS

EXTN. EQUIP.  
(MODIFIED)

W.

