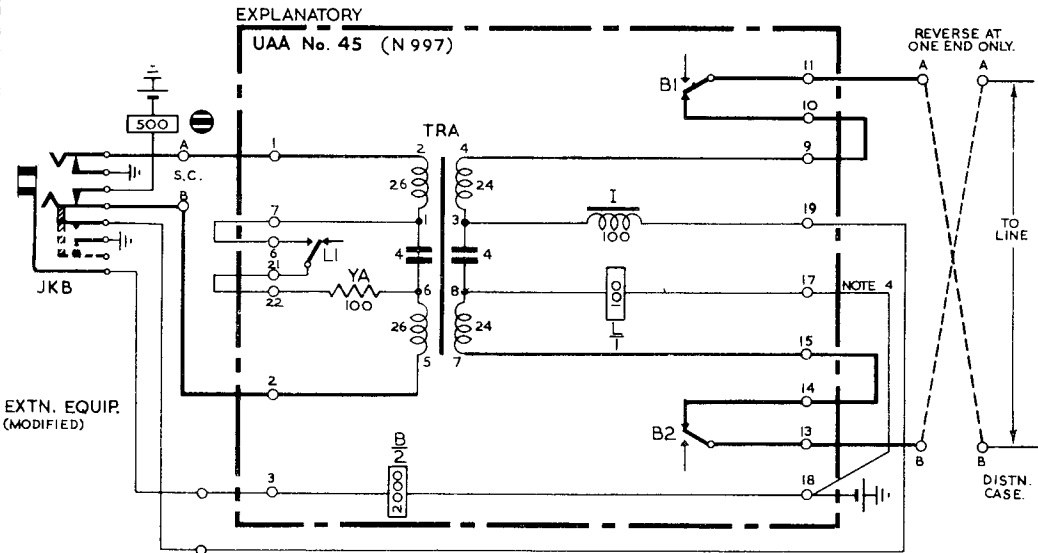


CIRCULATION  
 GENERAL  
 S. 117  
 10. 3. 52 A  
 MINOR CORRECTIONS NOTES AMENDED.  
 W  
 P. P. F.

# TERMINATION OF INTERSWITCHBOARD PRIVATE CIRCUIT. SWITCHBOARDS N1070 (NOTE 6) & AT 3796.

SIGNALLING GROUP ACi: A/WE IN; A/WE OR G/AC OUT.

**N721.**  
 2 PANELS-1.  
 5-8-54.



N721.

2 PANELS. 2.

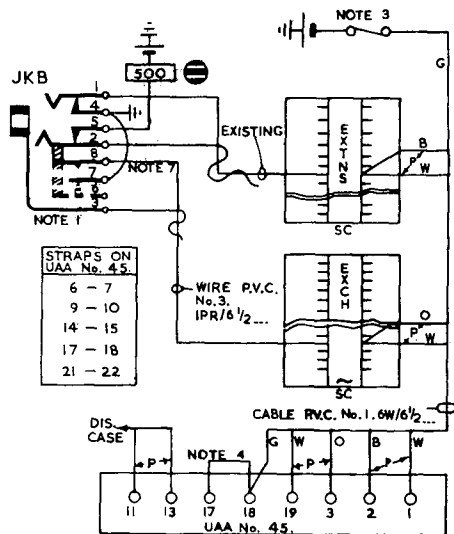
NOTES.

- ON  $\frac{10+60}{180}$  AND ON EARLY  $\frac{10+30}{65}$  AND  $\frac{10+50}{65}$  SWBDS. JACKS WITH AUXILIARY SPRINGS ARE NOT PROVIDED, IN THESE CASES A STRIP OF JACKS AS INDICATED BELOW SHOULD BE REQUISITIONED AND FITTED IN PLACE OF THE EXISTING JACKS ON EXTENSIONS 1-10.

SWITCHBOARD  $\frac{10+60}{180}$  JACK No. 810 BN.

SWITCHBOARDS  $\frac{10+30}{65}$  AND  $\frac{10+50}{65}$  JACK No. 710 BO.

- JACK SHOWN IS JACK No. 810 BN.
- SEE DIAGRAM N705 TABLE 1 FOR SIGNALLING RESISTANCE LIMITS WITH VARIOUS VOLTAGES.
- BATTERY CONNEXIONS TO UAA No. 45, TO BE MADE VIA A FUSE No. 44A/1 FITTED ON SPARE FUSE MOUNTING IN SWITCHBOARD. FUSE TO SERVE 1 TO 4 UNITS.
- WHERE NECESSARY ADDITIONAL CELLS, (SERVING 1 TO 4 UNITS WITH COMMON FUSE, SEE NOTE 3) MAY BE CONNECTED BETWEEN U.A.A. TERMLS. 18 & 17.
- THIS TERMINATION WILL WORK INTO ANY TERMINATION IN GROUP A (i) OR (ii).
- SEE N 722 FOR ALTERNATIVE MEANS OF PROVISION OF A (i) TERMINATION AT SWBD. N 1070, FOR LINES OF LOW LOOP-RESISTANCE.
- AUX. MAKE SPRINGS OF JACK No. 810 BN, ARE NUMBERED (7) & (8), AS SHOWN. AUX. MAKE SPRINGS OF JACK No. 710 BO ARE NUMBERED (7) & (6).



PROVIDE :- STRAP FROM INNER SPRING (4) TO AUXILIARY SPRING (7).  
 WIRE FROM (3) AND (8) (NOTE 7) ON JKB TO SPARE TAGS ON EXCH. LINES S.C.  
 CABLE FROM STRIPS CONNEXION & FUSE MTG. TO UAA No. 45.  
 CABLE 11 AND 13 ON UAA No. 45 TO A & B OF LINE IN DIS. CASE.