

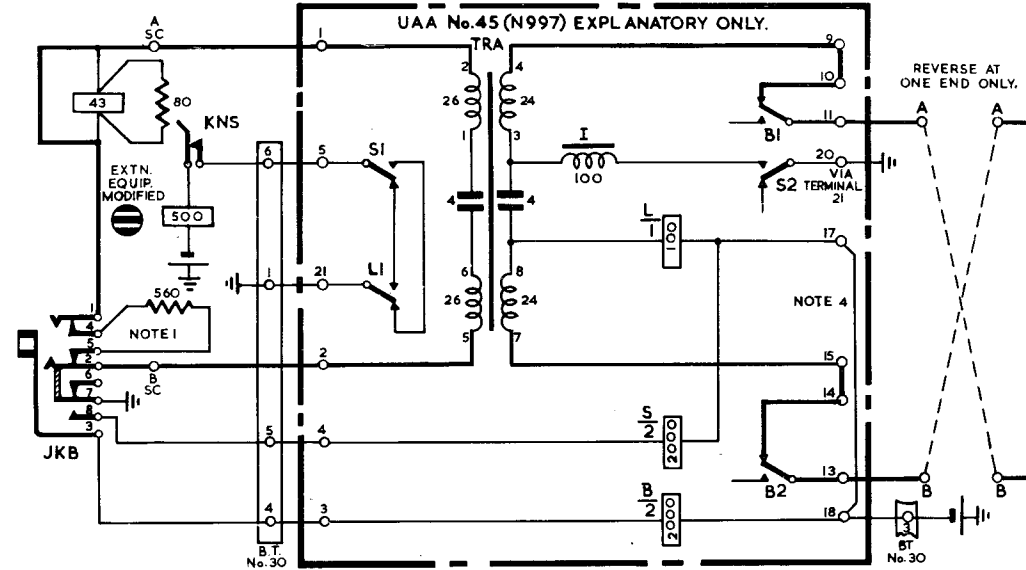
TERMINATION OF INTER P.B.X. PRIVATE CIRCUIT. SWITCHBOARD CB873

N710

SIGNALLING GROUP A (i):
A/WE IN; A/WE OR G/AC OUT

ISSUE B
SUPERSEDES
N1085 & N956 Fig.3
FOR NEW WORK

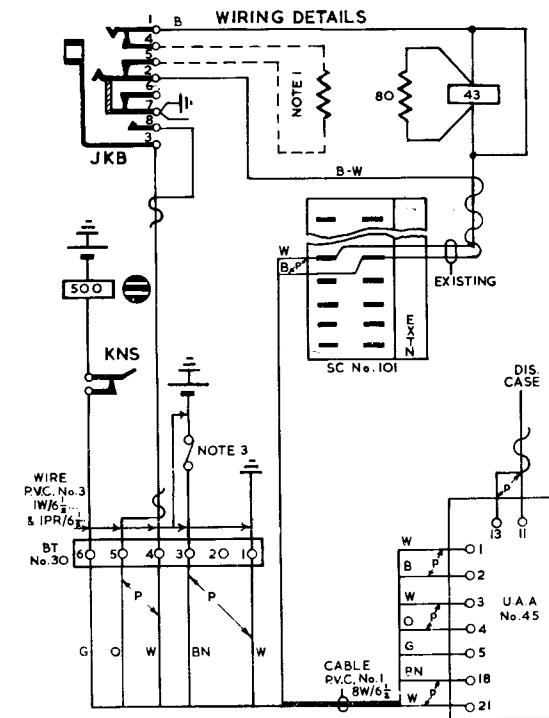
EXPLANATORY



NOTES:-

- A RESISTOR, CARBON No. 15GD-560Ω SHOULD BE WIRED ACROSS THE INNER SPRINGS (4) AND (5) WHEN THIS TERMINATION IS USED ON AN AMPLIFIED CIRCUIT.
- DGM. N 705, TABLE 1 GIVES SIGNALLING RESISTANCE LIMITS WITH VARIOUS VOLTAGES.
- BATTERY SUPPLY TO UAA TO BE MADE VIA FUSE No. 36/1, FITTED ON A FUSE MTG. No. 136A SCREWED TO WOODWORK ABOVE EXISTING FUSE MTG. FUSE TO SUPPLY 1 TO 4 UNITS
- WHERE NECESSARY ADDITIONAL CELLS, (SERVING 1 TO 4 UNITS WITH COMMON FUSE, SEE NOTE 3.) MAY BE CONNECTED IN PLACE OF STRAP BETWEEN TERMINALS 17 & 18, BY CONNECTING TERML. 17 TO BT. No. 30 (2) AND JOINING ADDITIONAL CELLS BETWEEN BT. No. 30 (2) & (3).
- KNS CONTACT UNIT No. HAS SAME NUMBER AS SELECTED EXTN.
- WHERE OMISSION OF EXCH. PROHIBITION HAS BEEN AUTHORISED, CONNECT AS INTERSWBD. EXTN. (SEE N770)
- STRAP UAA, TERMINALS 9-10, 14-15, 17-18 (NOTE 4), 20-21

RECOVER	SHIFT	PROVIDE
WIRE FROM AUX. SPRINGS 6, 7, 8. WIRE TO KNS. WIRES FROM SC. No. 101 TO DIS. CASE AT BOTH ENDS.	WIRES FROM INNER SPRING (4) TO AUX. MAKE SPRING (7)	BT No. 30 ADJACENT TO SC 101 IN SWBD. FUSE MTG. 136A (SEE NOTE 3) WIRE FROM MAIN BATTERY CONNECTION ON SWBD. FUSE TO FUSE MTG. 136A. WIRE SHORT CIRCUIT ACROSS A RELAY. WIRE BT. 30 (1) TO EARTH (SPARE) TERMINAL " " (3) TO FUSE MTG. No. 136A " " (4) TO JACK (3) " " (5) TO JACK (8) " " (6) TO KNS... CABLE FROM SC. & BT. TO UAA, AS SHOWN. CABLE FROM UAA (1) & (13) TO DIS. CASE EXTN. TERMINALS.



P.O.E.D.
S BCH.

PAPER: W

CIRCULATION:
GENERAL

ISSUES			
B	NEW FORMAT	<i>P.R.</i>	23. 11. 66
A	REDRAWN, MINOR AMENDMENTS	G.A.A.	8. 12. 61
	P. A. MARCHANT	S3/2	13-12-54