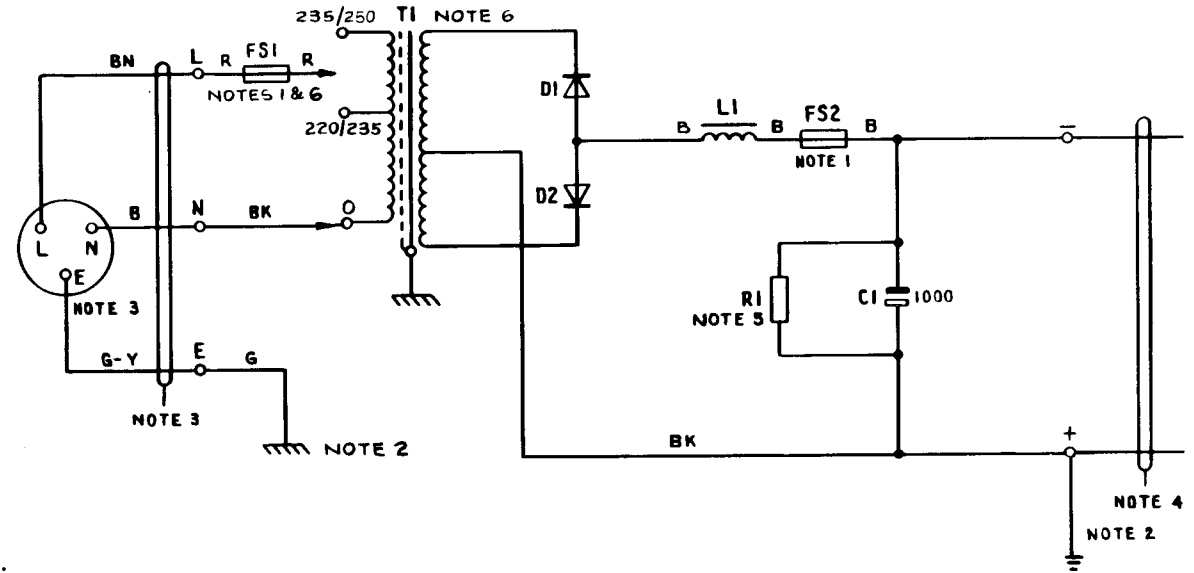


POWER-UNIT No 86B
50V, 275mA D.C. SUPPLY FROM 50Hz AC MAINS

N689
ISSUE B
SUPERSEDES N687

NOTES:-

1. FS1 :- FUSE No.80A/0.1 FS2 :- FUSE No.36/0.5
2. ONE SIDE OF THE OUTPUT (NORMALLY +) SHOULD BE CONNECTED, WITH WIRE, EARTHING 9141 OR 9142, TO THE TELEPHONE SIGNALLING EARTH, WHICH MUST BE PROVIDED USING ONE OF THE METHODS SHOWN IN TI A2 E1006. SEE ALSO SPECIFICATION D1921. THE MAINS PROTECTIVE EARTH MUST NOT BE UTILISED FOR THE TELEPHONE SIGNALLING EARTH. THE MAINS PROTECTIVE EARTH SHALL BE CONNECTED TO THE EARTH CONNECTING BLOCK OF THE POWER-UNIT WITH 1.5mm² CONDUCTOR.
3. CORD, FLEXIBLE 3183 Y 1.5mm², AND PLUG No.103 TO BE REQUISITIONED SEPARATELY AND FITTED LOCALLY. PLUGS SHALL BE FITTED WITH 3 AMP FUSES.
4. OUTPUT CABLING :- SEE APPROPRIATE INSTALLATION DIAGRAM OR INSTRUCTION.
5. VALUE CHOSEN BY MANUFACTURER.
6. EARLIER VERSIONS OF THE POWER-UNIT MANUFACTURED BEFORE 1983 SHOW DIFFERENT PRIMARY TAPPINGS ON T1. FUSE No.80A/... (FS1) WAS FUSE No.36A/...



BRITISH TELECOMMS HQRS PAPER:- W DISTN :- GENERAL	ISSUE	B	NOTE 6 ADDED. NOTES 1, 2 & 3 AMENDED. MINOR AMENDMENTS. <i>bb</i> <i>llf</i> RAS SE 2.1.2	19-12-83
		A	NEW FORMAT. TRANSFORMER 200V. TAPPING REMOVED. WIRE COLOURS CHANGED. CAPACITOR VALUE ADDED NOTES AMENDED DLW TD 7.2.3	31-1-77
			J. S. GORE	20-5-68