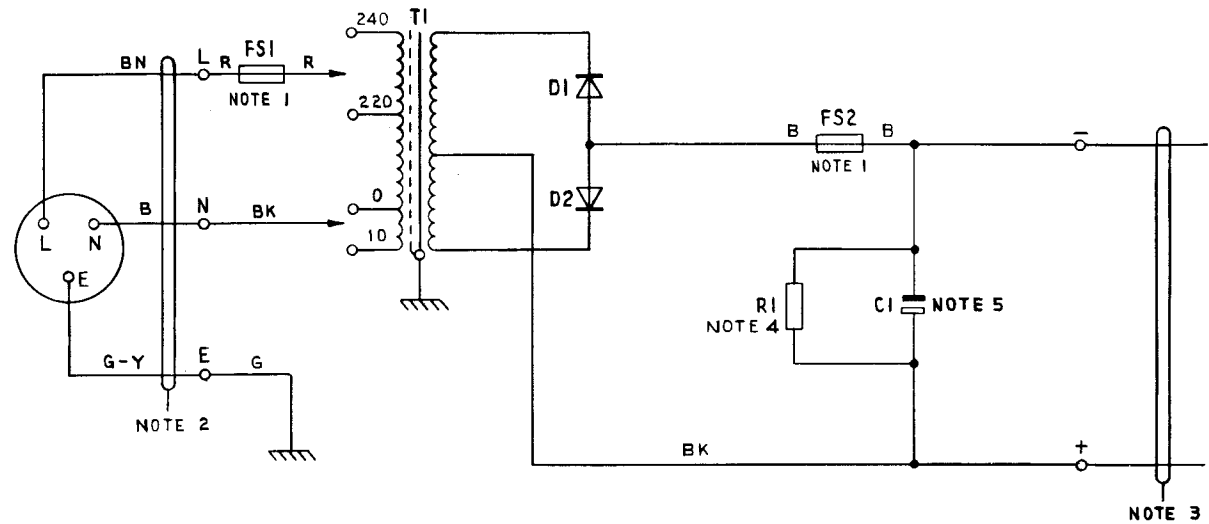


POWER-UNIT No.88A
18V, 1A, D.C. SUPPLY FROM 50Hz MAINS

N688
ISSUE B

NOTES:-

1. FS1 :- FUSE No.36A/0.25 FS2:- FUSE No.36A/1.0
2. CORD, FLEXIBLE 3183 Y 1.5mm², AND BS.3 PIN PLUG, TO SUIT SOCKET, TO BE REQUISITIONED SEPARATELY AND FITTED LOCALLY. FUSED PLUGS SHALL BE FITTED WITH 3 AMP FUSES.
3. OUTPUT CABLING:- SEE APPROPRIATE INSTALLATION DIAGRAM OR INSTRUCTION.
4. RI VALUE CHOSEN BY MANUFACTURER, IF REQUIRED.
5. CI VALUE CHOSEN BY MANUFACTURER.
6. THE OUTPUT OF THIS POWER-UNIT IS INSUFFICIENTLY SMOOTHED FOR USE ON SPEECH CIRCUITS.
7. WHEN USED WITH AN AUTODIAL No.101A THE OUTPUT MUST NOT BE EARTHED



| | | | |
|---------------------------------|-------|---|---|
| P.O TELECOMMS HQRS | | | |
| PAPER:-Y DISTN :- GENERAL | ISSUE | B | MADE YELLOW. <i>DLW</i> 21-6-79 |
| | | A | NEW FORMAT. TRANSFORMER 200V. TAPPING REMOVED. WIRE COLOURS CHANGED. NOTES 2 & 3 AMENDED. NOTE 7 ADDED. <i>DLW TD 7.2.3</i> 31-1-77 |
| | | | CA MIDDLETON 2-10-69 |