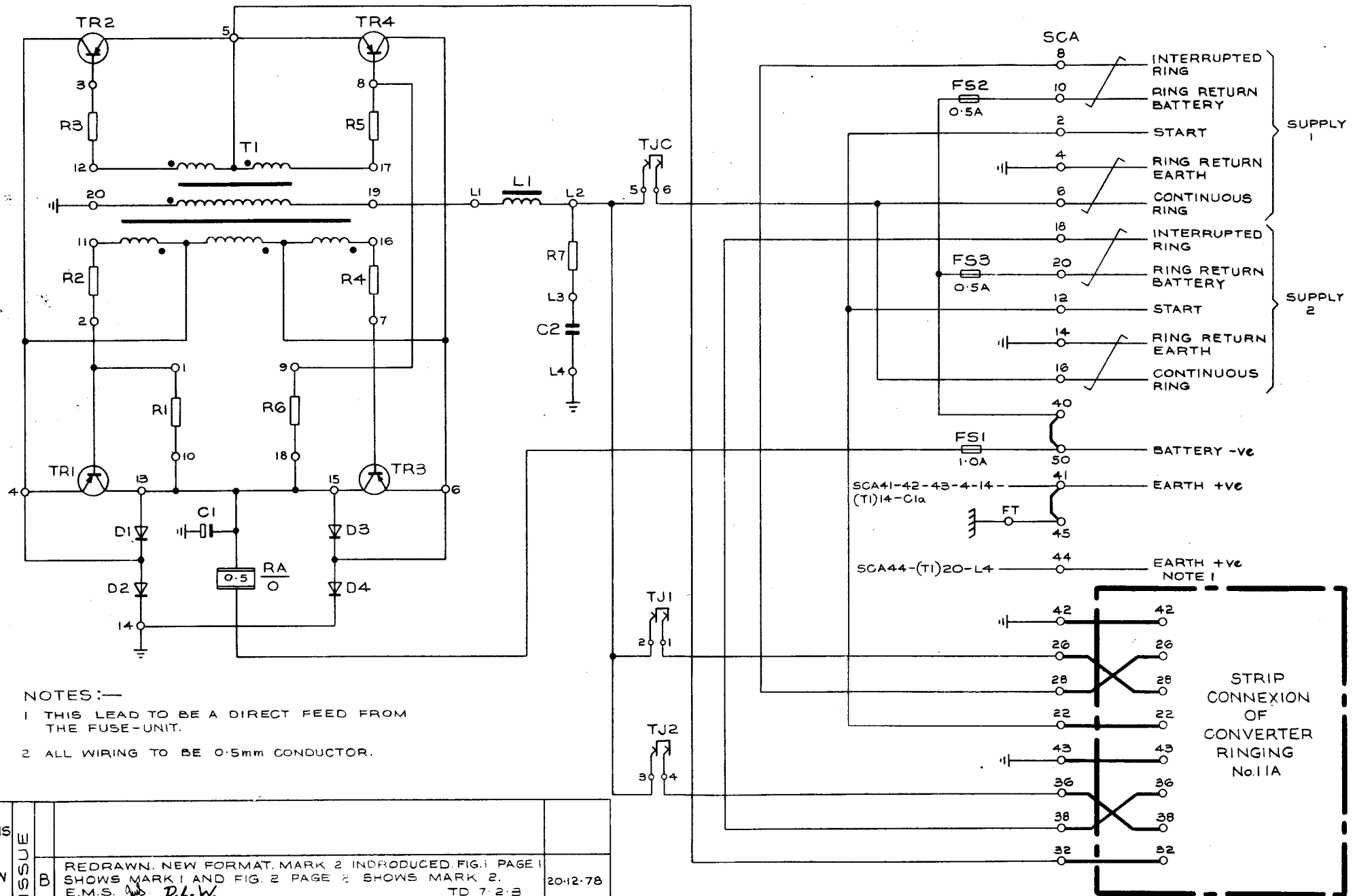


# CONVERTER RINGING No.12A MARK 1

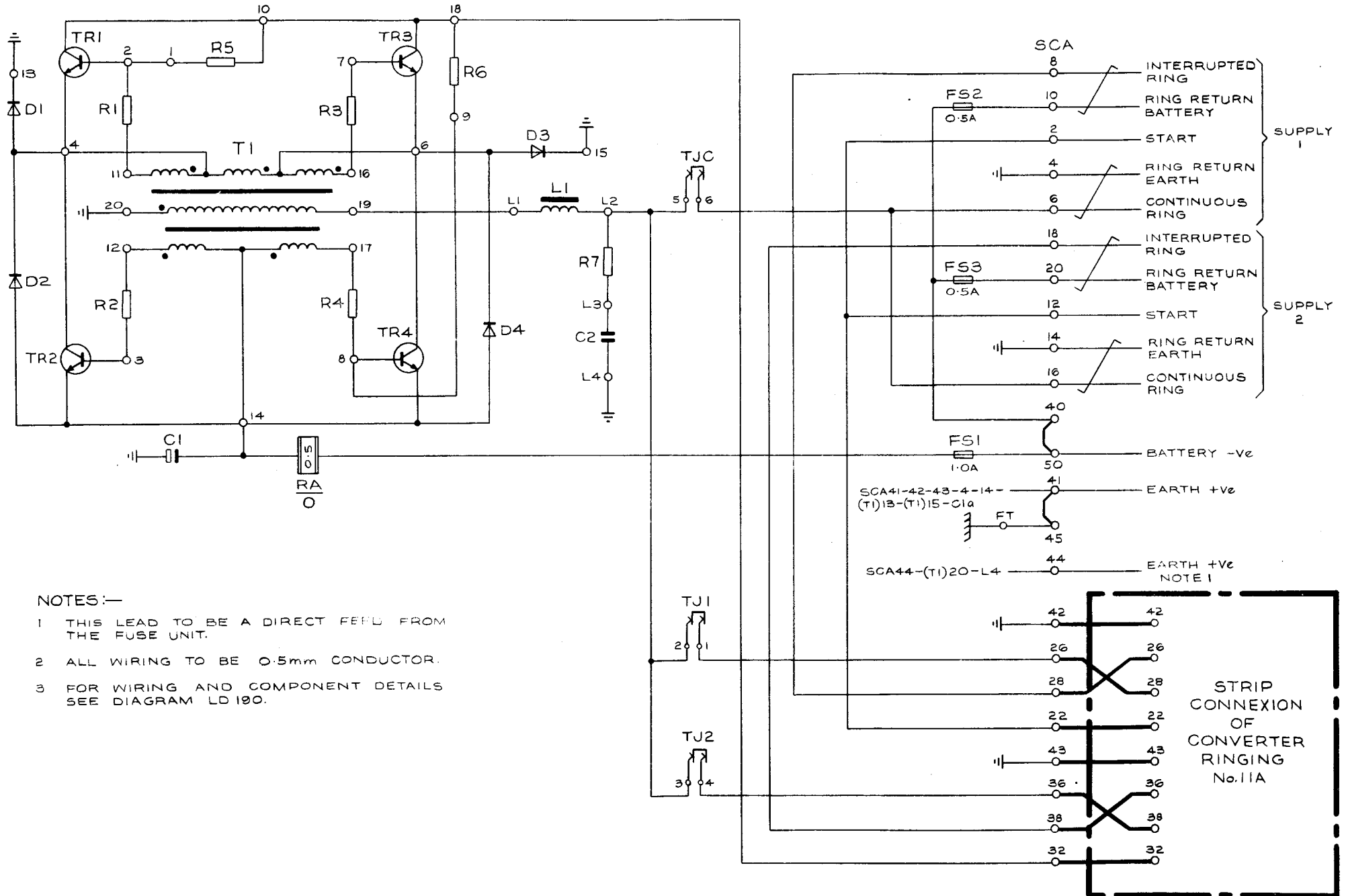
## FIG. 1



- NOTES:—
- 1 THIS LEAD TO BE A DIRECT FEED FROM THE FUSE-UNIT.
  - 2 ALL WIRING TO BE 0.5mm CONDUCTOR.

PO TELECOMMS HQRS	ISSUE		
PAPER:—W	B	REDRAWN. NEW FORMAT. MARK 2 INTRODUCED. FIG. 1 PAGE 1 SHOWS MARK 1 AND FIG. 2 PAGE 2 SHOWS MARK 2. E.M.S. <i>DLW</i>	20.12.78 TD 7.2.3
DISTN:	A	STRIP CONNEXION ADDED. J.D.	14.2.74 TD 2.5.3
GENERAL		K.M.A. J.GORE S2/4	10.5.66

CONVERTER RINGING No.12A MARK 2  
FIG.2



NOTES:-

- 1 THIS LEAD TO BE A DIRECT FEED FROM THE FUSE UNIT.
- 2 ALL WIRING TO BE 0.5mm CONDUCTOR.
- 3 FOR WIRING AND COMPONENT DETAILS SEE DIAGRAM LD 190.