

# UNIT AUXILIARY APPARATUS No.101A

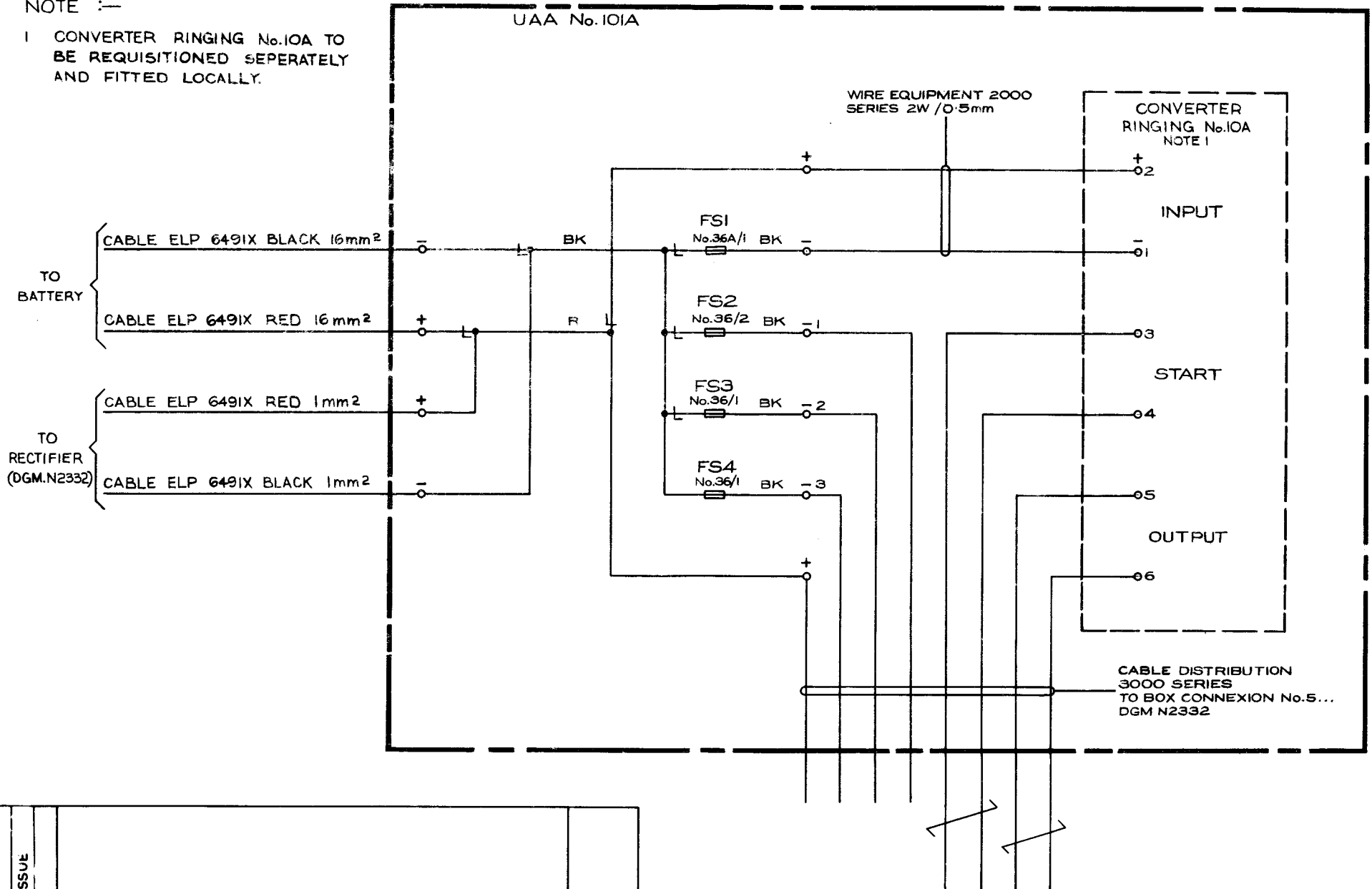
## CABLING AND WIRING

N677

ISSUE C

NOTE :-

1 CONVERTER RINGING No.10A TO BE REQUISITIONED SEPERATELY AND FITTED LOCALLY.



PO TELECOMS HQRS			
PAPER :- W	ISSUE		
DISTN :- GENERAL	C	NEW FORMAT. MINOR AMENDMENTS. <i>M/B</i> D.L.W. TD7-2-3	31-3-77
	B	NEW FORMAT.	K.M.A. 19-7-66