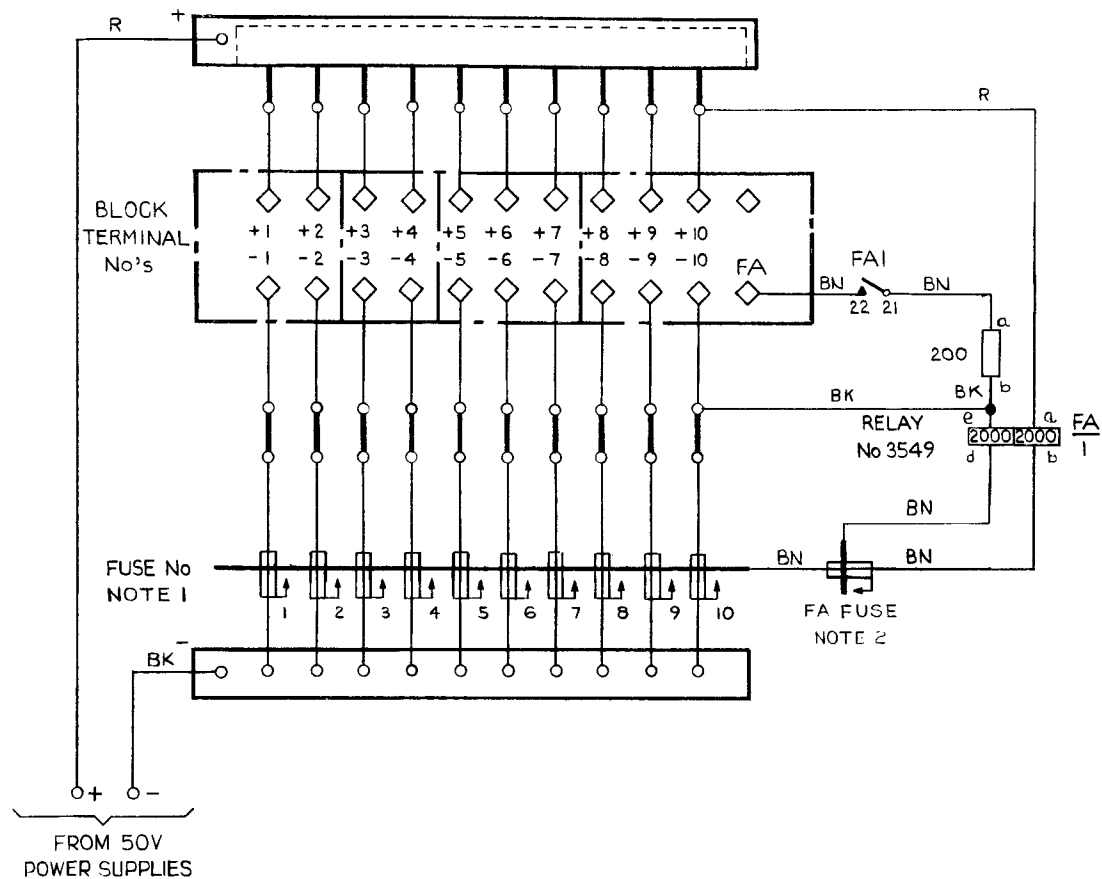


FUSE - UNIT No 2A
 FOR USE AT PMBX No 4 INSTALLATIONS
 WHEN A FUSE ALARM BATTERY IS REQUIRED

N675
 PAGE 1-3
 ISSUE B

NOTES:-

- FOR FUSE RATINGS, INPUT & OUTPUT CONNEXIONS, REFERENCE SHOULD BE MADE TO SPEC S1155 FOR SINGLE POSITION INSTALLATIONS OR SPEC S1156 FOR MULTIPLE POSITIONS.
- THE FA FUSE SHALL BE A FUSE No 44A/1.5 (RED).

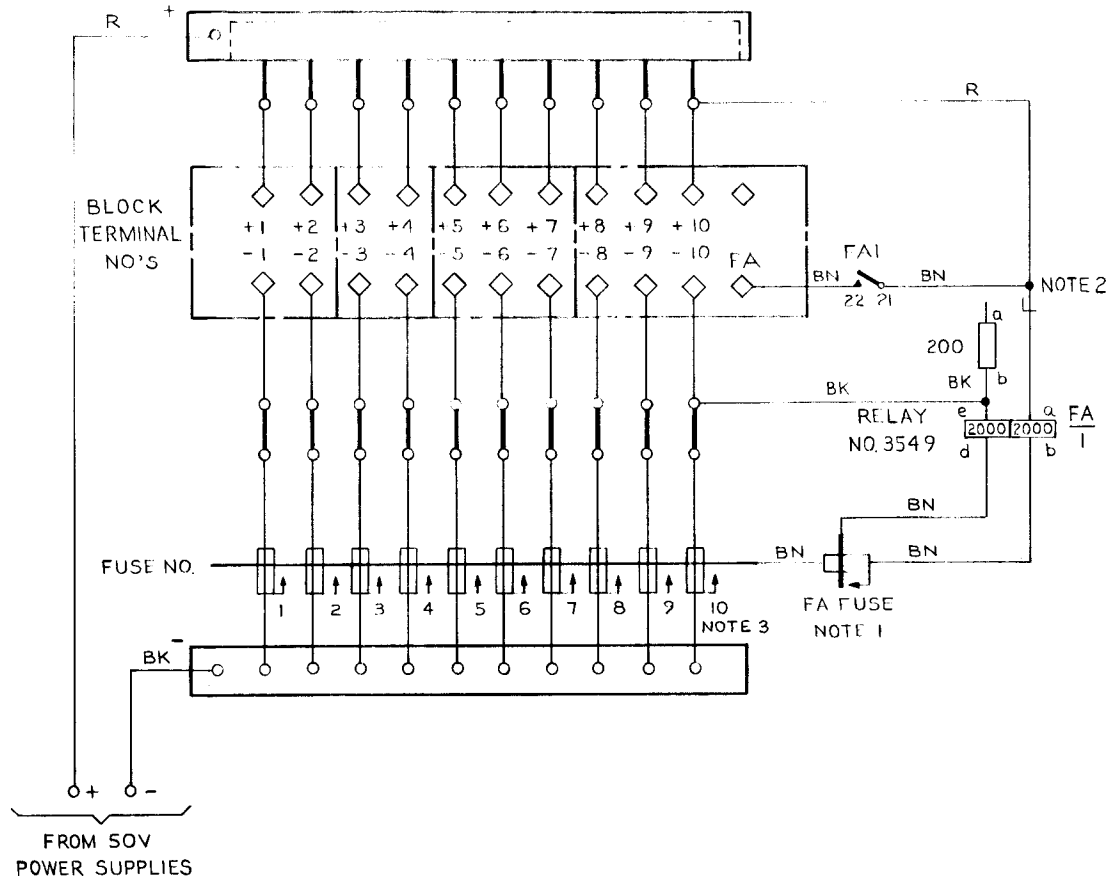


PO TELECOMMS HQRS	ISSUE	B	PAGE 1 MINOR AMENDMENTS, PAGE 3 AMENDED. PAGE 2 SHOWS MODIFICATION TO 2A TO GIVE A FUSE ALARM EARTH CONDITION. <i>DLW</i> TD 7.2.3.	22-10-75
		A	NEW FORMAT. MADE YELLOW FUSE-UNIT No 2B ADDED. NOTE 1 AMENDED. <i>SD</i> TD 7.2.3.	23-10-75
			H. THWAITE	53/3 9.7.65

FUSE - UNIT NO.2 A
MODIFIED TO GIVE A FUSE ALARM EARTH CONDITION

NOTES:-

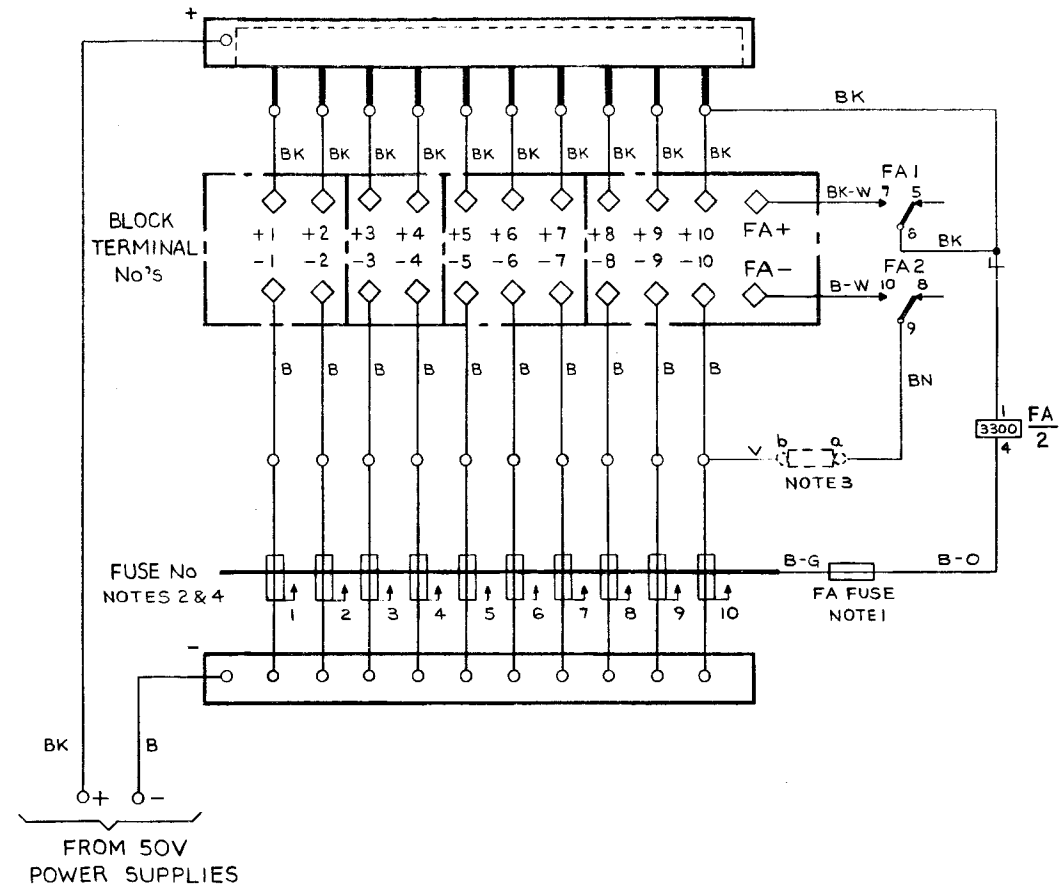
1. THE FA FUSE SHALL BE A FUSE NO. 44A/1.5 (RED).
2. BROWN WIRE TO BE DISCONNECTED FROM TERMINAL 'a' OF THE RESISTOR COIL NO.9 200Ω AND RETERMINATED ON TERMINAL 'a' OF RELAY FA.
3. WHEN A FUSE ALARM EARTH CONDITION IS USED, FUSE POSITION NO.10 IS NOT REQUIRED FOR THE ALARM CIRCUIT AND MAY THEREFORE BE USED AS A SPARE FUSED OUTLET.



FUSE - UNIT No 2B
FOR USE AT PMBX NO.4 AND NO.11 INSTALLATIONS

NOTES:-

1. THE FA FUSE SHALL BE A FUSE NO.36A/1.5.
2. WHEN USED WITH THE PMBX NO.4, FOR FUSE RATINGS, INPUT & OUTPUT CONNEXIONS, REFERENCE SHOULD BE MADE TO SPEC S1155 FOR SINGLE POSITION INSTALLATIONS OR SPEC S1156 FOR MULTIPLE POSITIONS.
3. WHEN USED AT PMBX NO.4 INSTALLATIONS REQUIRING A FUSE ALARM BATTERY, PROVIDE A RESISTOR COIL NO.9 200Ω, AND MOUNT USING A PART 2/SPO/1 (POST FIXING) IN THE HOLE PROVIDED (TOP RIGHT HAND CORNER OF THE UNIT). TERMINATE ON THE RESISTOR THE EXISTING BROWN AND VIOLET WIRES IN ACCORDANCE WITH THIS DIAGRAM. IN THESE CIRCUMSTANCES OUTPUT IO SHOULD NOT BE USED AND FSIO SHOULD BE A FUSE NO.44A/1.5 (RED).
4. WHEN USED WITH THE PMBX NO.11 FOR FUSE RATINGS, INPUT & OUTPUT CONNEXIONS, REFERENCE SHOULD BE MADE TO SPEC S1286.



PO TELECOMMS HQRS	ISSUE	B	ALARM CIRCUITRY MODIFIED. NOTES AMENDED. WIRE COLOURS WERE +ve R AND -ve BK. D.L.W.	TD 7.2.3.	22.6.78
		A	FUSE-UNIT NO 2B ADDED. FUSE-UNIT NO 2A MADE YELLOW.	JD TD 7.2.3	23-10-75
PAPER:- W DISTN:- GENERAL			H. THWAITE	53/3	9.7.65