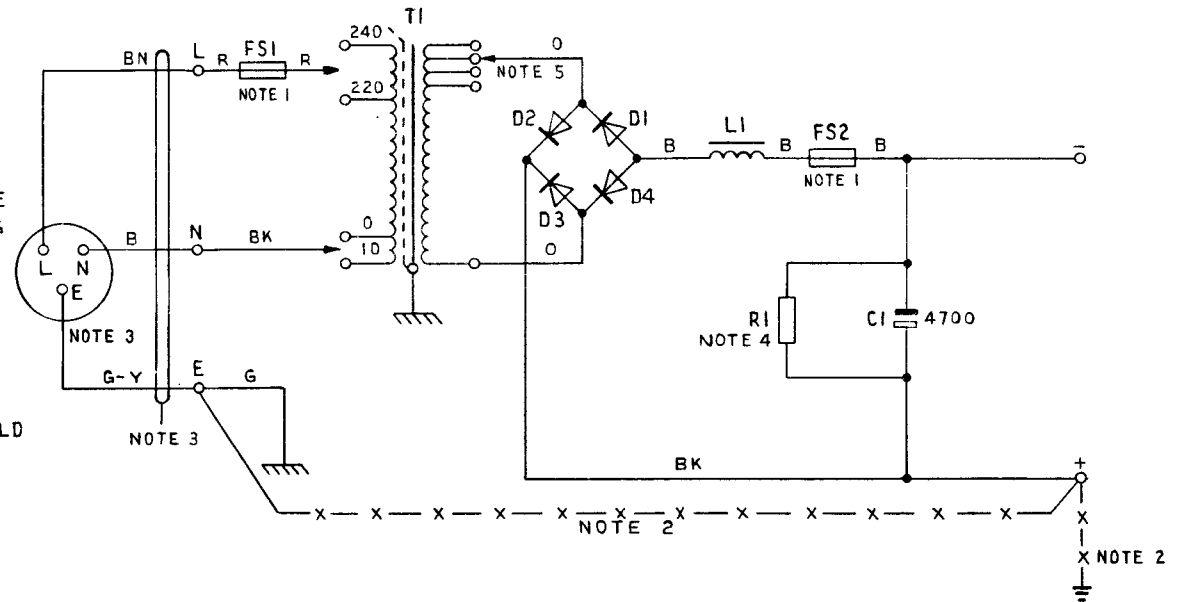


POWER-UNIT No. 69A
50V NOMINAL DC SUPPLY FROM 50Hz A.C. MAINS
(45V AT 4.0A)

N672
ISSUE C

NOTES :-

1. FS1 :- FUSE No. 36A/2.0 FS2 :- FUSE No. 36A/5
2. ONE SIDE OF THE OUTPUT (NORMALLY +) SHOULD BE CONNECTED, WITH WIRE, EARTHING 9141 OR 9142, TO THE TELEPHONE SIGNALLING EARTH, WHICH MUST BE PROVIDED USING ONE OF THE METHODS SHOWN IN TI A2 E1006. THE MAINS PROTECTIVE EARTH MUST NOT BE UTILISED FOR THE TELEPHONE SIGNALLING EARTH. THESE TWO EARTHS MUST BE CONNECTED TOGETHER AT THE TERMINAL BLOCK OF THE POWER-UNIT WITH WIRE, EARTHING 9141 OR 9142. SEE WIRING SHOWN THUS - X - X - .
3. CORD, FLEXIBLE 3183 Y 1.5mm², AND B.S.3 PIN PLUG TO SUIT SOCKET TO BE REQUISITIONED SEPARATELY AND FITTED LOCALLY. FUSED PLUGS SHALL BE FITTED WITH 3 AMP FUSES.
4. VALUE CHOSEN BY MANUFACTURER
5. THESE TAPS ARE SET BY THE MANUFACTURER AND SHOULD NOT NORMALLY NEED TO BE DISTURBED



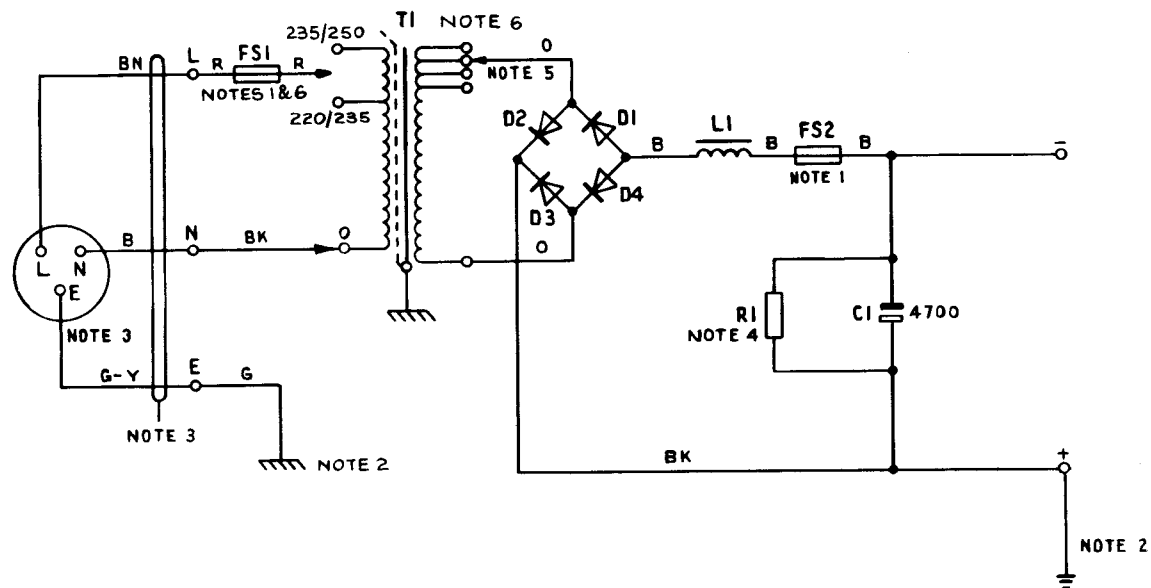
P.O TELECOMMS HQRS PAPER:- W DISTN :- GENERAL	ISSUE			
		C	NEW FORMAT. TRANSFORMER 200V. TAPPING REMOVED. WIRE COLOURS & CAPACITOR VALUE CHANGED. NOTES 2 & 3 AMENDED. NOTE 5 ADDED. DLW TD 7.2.3	31.1.77
		B	NEW FORMAT KMA	8-7-66

POWER-UNIT No. 69A
 50V NOMINAL DC SUPPLY FROM 50Hz A.C. MAINS
 (45V AT 4.0A)

N672
ISSUED

NOTES :-

1. FS1 :- FUSE No. 80A/2.0 FS2 :- FUSE No. 36A/5
2. ONE SIDE OF THE OUTPUT (NORMALLY +) SHOULD BE CONNECTED, WITH WIRE, EARTHING 9141 OR 9142, TO THE TELEPHONE SIGNALLING EARTH, WHICH MUST BE PROVIDED USING ONE OF THE METHODS SHOWN IN TI A2 E1006. SEE ALSO SPECIFICATION D1921. THE MAINS PROTECTIVE EARTH MUST NOT BE UTILISED FOR THE TELEPHONE SIGNALLING EARTH. THE MAINS PROTECTIVE EARTH SHALL BE CONNECTED TO THE EARTH CONNECTING BLOCK OF THE POWER-UNIT WITH 1.5 mm² CONDUCTOR.
3. CORD, FLEXIBLE 3183 Y 1.5 mm², AND PLUG No. 103 TO BE REQUISITIONED SEPARATELY AND FITTED LOCALLY. PLUGS SHALL BE FITTED WITH 3 AMP FUSES.
4. VALUE CHOSEN BY MANUFACTURER.
5. THESE TAPS ARE SET BY THE MANUFACTURER AND SHOULD NOT NORMALLY NEED TO BE DISTURBED.
6. EARLIER VERSIONS OF THE POWER-UNIT MANUFACTURED BEFORE 1983 SHOW DIFFERENT PRIMARY TAPPINGS ON T1. FUSE No. 80A/... (FS1) WAS FUSE No. 36A/...



BRITISH TELECOMMS HQRS PAPER:- W DISTN :- GENERAL	ISSUE	D	NOTE 6 ADDED. NOTES 1, 2 & 3 AMENDED. MINOR AMENDMENTS. <i>to diff</i> RAG SE 2.1.2	19-12-83
		C	NEW FORMAT. TRANSFORMER 200V. TAPPING REMOVED. WIRE COLOURS & CAPACITOR VALUE CHANGED. NOTES 2 & 3 AMENDED. NOTE 5 ADDED. DLW TD 7.2.3	31-1-77
			NEW FORMAT KMA	8-7-66