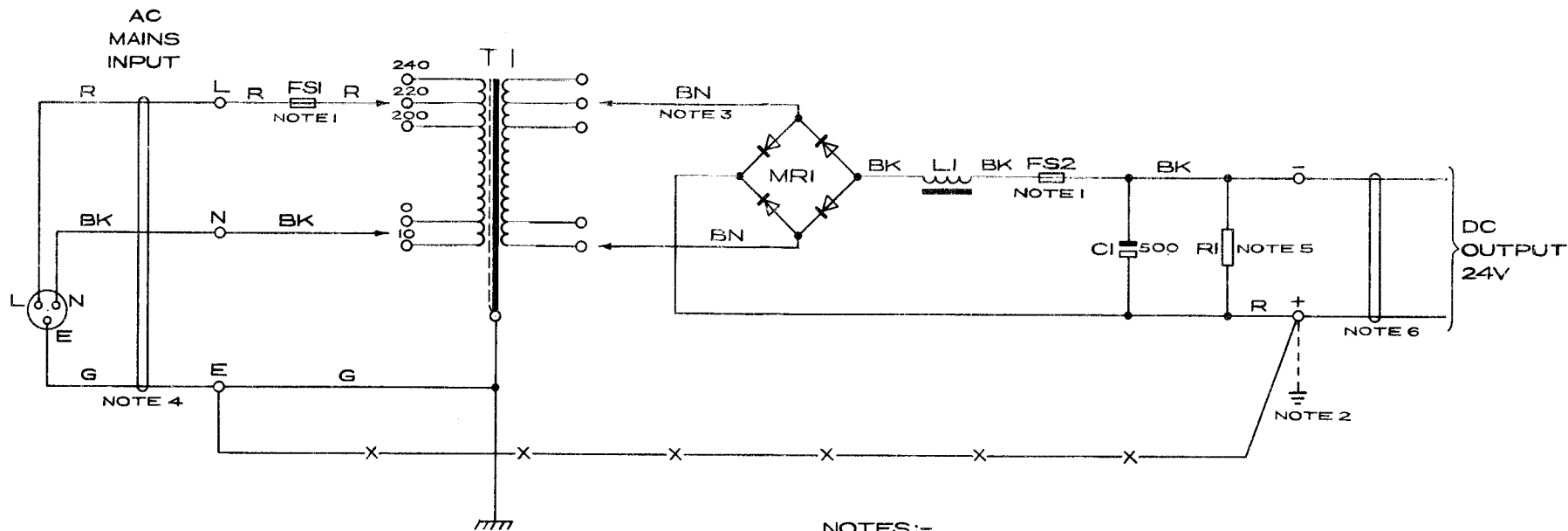


# POWER UNIT No.55A

## 24V 0.3A DC POWER SUPPLY FROM 50Hz AC MAINS

N667  
ISSUE F



**NOTES:-**

- 1 FSI-FUSE No.36A/0.2 FS2-FUSE No.36A/0.5.
- 2 ONE SIDE OF THE OUTPUT (NORMALLY +) SHOULD BE CONNECTED TO THE TELEPHONE SIGNALLING EARTH WITH WIRE COPPER SOFT STRANDED 3/20. THE MAINS PROTECTIVE EARTH MUST NOT BE UTILISED FOR THE TELEPHONE SIGNALLING EARTH. AN ENTIRELY INDEPENDENT CONNEXION TO A SEPARATE EARTH e.g AN ADDITIONAL SPIKE MUST BE PROVIDED. THESE TWO EARTHS SHALL BE CONNECTED TOGETHER AT THE TERMINAL BLOCK OF THE POWER UNIT BY AN INSULATED CONDUCTOR SIMILAR TO THAT USED FOR THE MAINS PROTECTIVE EARTH CONNEXION. SEE WIRING SHOWN THUS --X--.
- 3 THESE TAPS ARE SET BY THE MANUFACTURER AND SHOULD NOT NORMALLY NEED TO BE DISTURBED. THE ARRANGEMENTS SHOWN IS TYPICAL ONLY-SEE PASTER DGM FOR WIRING DETAILS.
- 4 CORD FLEXIBLE 250V, PVC OR TRS 3 CORE 0.0006sq.in AND BS 3 PIN PLUG TO SUIT SOCKET TO BE REQUISITIONED SEPARATELY AND FITTED LOCALLY.
- 5 VALUE CHOSEN BY MANUFACTURER.
- 6 CABLE PVC No.1 2 WIRE 6 1/2 lb TO BE REQUISITIONED SEPARATELY AND FITTED LOCALLY.

PO			
TELECOMMS			
HQRS			
PAPER: Y			
DISTN:			
GENERAL			
ISSUE			
	F	NEW FORMAT. MADE YELLOW. <sup>TM</sup> D.L.W. TD 7.2.3	4.1.79
	E	EARTH WIRE SPECIFIED. K.M.A	7.3.68