

CIRCULATION

GENERAL

JACK No. 64 & PLUG No. 612.

N 664.

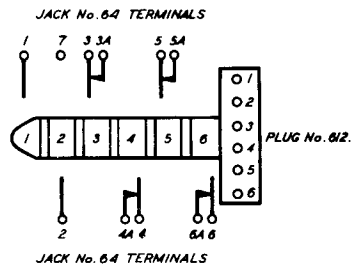
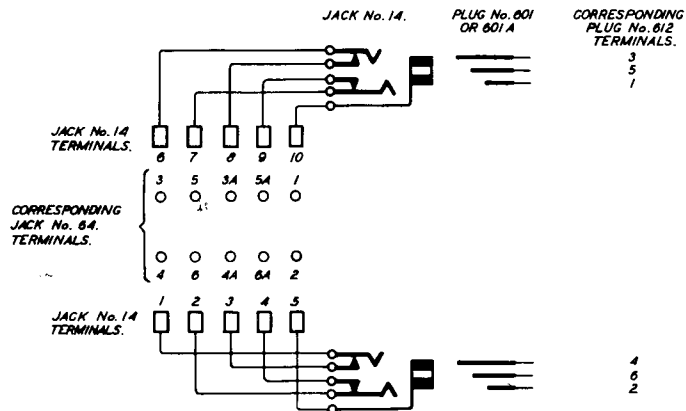
TERMINALS CORRESPONDING TO JACK No. 14 & PLUGS No. 601 OR 601A TERMINALS. 22-2-39.

THE DIAGRAM SHOWS THE CORRESPONDING JACK No. 64 & PLUG No. 612 TERMINALS TO BE USED WHEN REPLACING JACK No. 14 & PLUGS No. 601 OR 601A ON THE FOLLOWING INSTALLATIONS:-

MAGNETO SYSTEM PLAN 4. DIAGRAMS N 4007 & N 4008.

C.B.S. No. 1 SYSTEMS " 4. " N 4057 & N 4058.

C.B.S. No. 2&3 " " 4. " N 4107 & N 4108.



W.