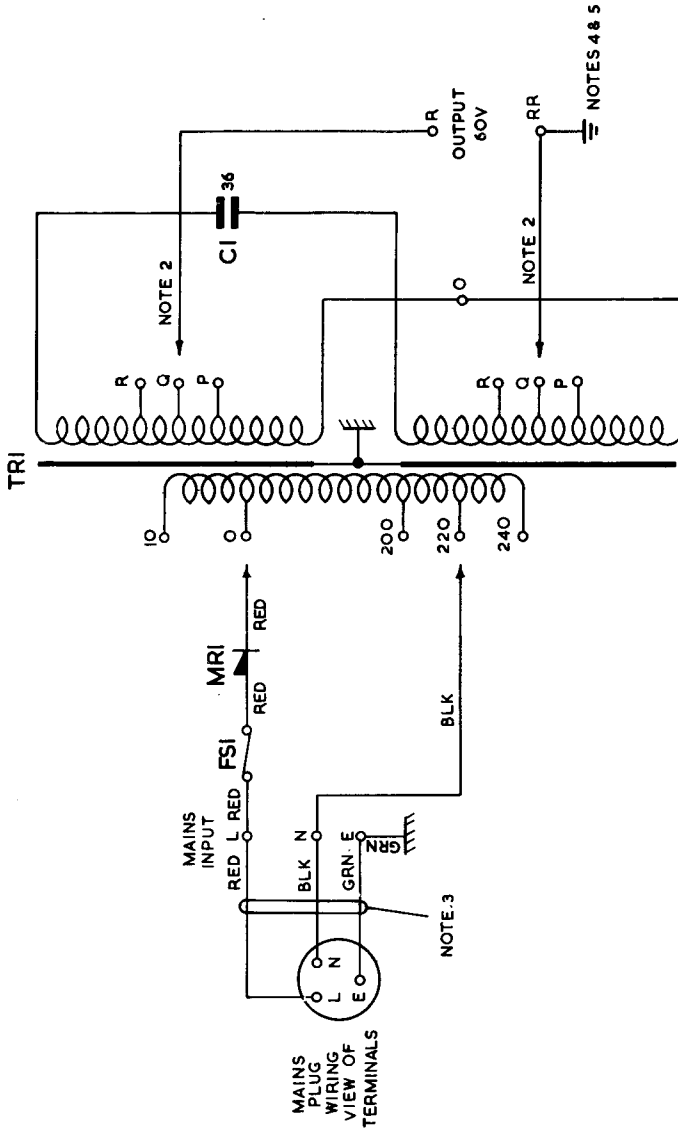


# CONVERTER, RINGING No. 6.

(25C/S RINGING SUPPLY FROM A.C.-MAINS).

N653  
ISSUE B  
PAGE 1-2



P.O.E.D.  
S. BCH.  
PAPER:- W  
CIRCULATION  
GENERAL

ISSUE		
B	NEW FORMAT K.m.d.	2-6-66
A	CI WAS 32μF. MINOR AMENDMENTS TO NOTES 3 & 4	16.2.62
	H. THWAITE S/3/3	10.3.61

NOTES

1. FS1 IS FUSE No. 36A/2.
2. THESE TAPS (WHEN PROVIDED), ARE SET BY MANUFACTURER AND MUST NOT BE DISTURBED.
3. CORD, FLEXIBLE 250V. P.V.C. OR TRS. 3 CORE 0.0006 SQ. INS. AND PLUG TO SUIT SOCKET TO BE REQUISITIONED SEPARATELY & FITTED LOCALLY. ALTERNATIVELY CONDUIT AND CABLE 250V. P.V.C. 0.0020 SQ. INS. MAY BE USED.
4. ONE SIDE OF THE OUTPUT (TERMINAL RR) SHOULD NORMALLY BE EARTHED TO THE LOCAL TELEPHONE EARTH WHICH MUST BE INDEPENDENT OF THE MAINS EARTH CONNECTED TO THE CASE.

5. TABLE I INDICATES THE CORRECT CONNEXIONS OF THE CONVERTER OUTPUT TO VARIOUS SWITCHBOARD TYPES

**TABLE I**

TYPE OF INSTALLATION	R TERMINAL CONN. TO	RR TERMINAL CONN. TO	REMARKS
P.M.B.X. IA	TIP OF CORDS	RING OF CORDS	
OTHER CORD TYPE P.B.X.'s	RING OF CORDS	TIP OF CORDS	
CORDLESS SWITCHBOARD	'A' SIDE OF RING KEYS	'B' SIDE OF RING KEYS	