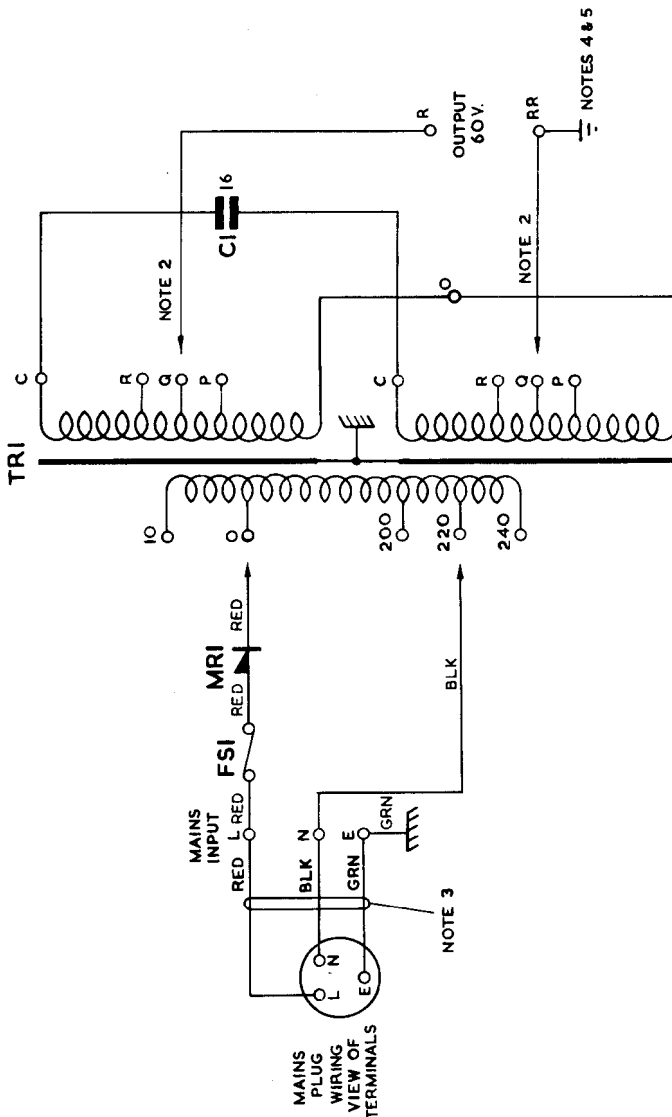


# CONVERTER RINGING No.5 (25 C/S RINGING SUPPLY FROM AC MAINS)

N652  
ISSUE D  
PAGE 1-2



P.O.E.D.

S. BCH

PAPER:- W

CIRCULATION  
GENERAL

ISSUE			
D	NEW FORMAT	K.M.A.	2-6-66
C	TABLE 1	AMENDED	14.7.61
B	COLOURS	ADDED	14.4.61
	H. THWAITE	5 3/3	15.10.59

NOTES

1. F51 IS FUSE No. 36A/1
2. THESE TAPS (WHEN PROVIDED) ARE SET BY THE MANUFACTURER AND MUST NOT BE DISTURBED.
3. CORD, FLEXIBLE 250V P.V.C. OR TRS 3 CORE 0.0006 SQ INS. AND PLUG TO SUIT SOCKET TO BE REQUISITIONED SEPARATELY AND FITTED LOCALLY, ALTERNATIVELY CONDUIT AND CABLE 250V P.V.C. 0.0020 SQ. INS. MAY BE USED.
4. ONE SIDE OF THE OUTPUT (TERMINAL RR) SHOULD BE EARTHED TO THE LOCAL TELEPHONE EARTH WHICH MUST BE KEPT SEPARATE FROM THE MAINS EARTH CONNECTED TO THE CASE.

5. TABLE I INDICATES THE CORRECT CONNEXIONS OF THE CONVERTER OUTPUT TO VARIOUS SWITCHBOARD TYPES.

**TABLE I.**

TABLE I.				
TYPE OF INSTALLATION	R TERMINAL CONN. TO	RR TERMINAL CONN. TO	REMARKS	
P.M.B.X. 1A	TIP OF CORDS	RING OF CORDS	RING OF CORDS	NOT MORE THAN 20 POSNS.
OTHER CORD TYPE P.B.X.'S	RING OF CORDS	TIP OF CORDS	TIP OF CORDS	NOT MORE THAN 20 POSNS.
CORDLESS SWITCHBOARDS	'A' SIDE OF RING KEYS	'B' SIDE OF RING KEYS	'B' SIDE OF RING KEYS	_____