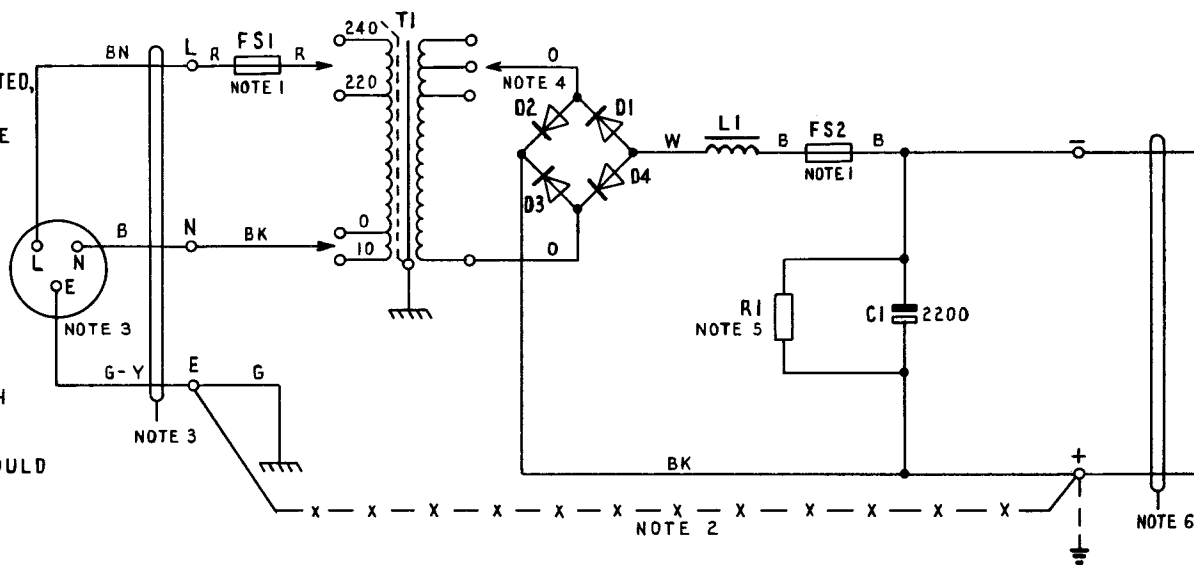


POWER UNIT No 51A
50V 1A DC. SUPPLY FROM 50Hz AC. MAINS

N636
ISSUE E

NOTES:-

1. FS1:- FUSE No. 36A/0.5. FS2:- FUSE No. 36A/1.0
2. ONE SIDE OF THE OUTPUT (NORMALLY +) SHOULD BE CONNECTED, WITH WIRE, EARTHING 9141 OR 9142, TO THE TELEPHONE SIGNALLING EARTH, WHICH MUST BE PROVIDED USING ONE OF THE METHODS SHOWN IN T1 A2 E1006. THE MAINS PROTECTIVE EARTH MUST NOT BE UTILISED FOR THE TELEPHONE SIGNALLING EARTH. THESE TWO EARTHS MUST BE CONNECTED TOGETHER AT THE TERMINAL BLOCK OF THE POWER-UNIT WITH WIRE, EARTHING 9141 OR 9142. SEE WIRING SHOWN THUS — X — X —.
3. CORD, FLEXIBLE 3183 Y 1.5mm², AND B.S.3 PIN PLUG TO SUIT SOCKET TO BE REQUISITIONED SEPARATELY AND FITTED LOCALLY. FUSED PLUGS SHALL BE FITTED WITH 3 AMP FUSES.
4. THESE TAPS ARE SET BY THE MANUFACTURER AND SHOULD NOT NORMALLY NEED TO BE DISTURBED.
5. VALUE CHOSEN BY MANUFACTURER.
6. OUTPUT CABLING :- SEE APPROPRIATE INSTALLATION DIAGRAM OR INSTRUCTION.



| | | | |
|---------------------------|-------|---|--|
| P.O TELECOMMS HQRS. | | | |
| PAPER:- W | ISSUE | E | NEW FORMAT. TRANSFORMER 200V TAPPING REMOVED. WIRE COLOURS AND CAPACITOR VALUE CHANGED. NOTES 2&3 AMENDED. NOTE 6 WAS NOTE 4. NOTE 4 ADDED. +VE OUTPUT WIRE WAS R, -VE OUTPUT WIRE WAS BK. D.L.W. TO 7-2-3 |
| DISTN:- GENERAL | | D | EARTH WIRE SPECIFIED |
| | | | KMA |
| | | | 7.3.68 |