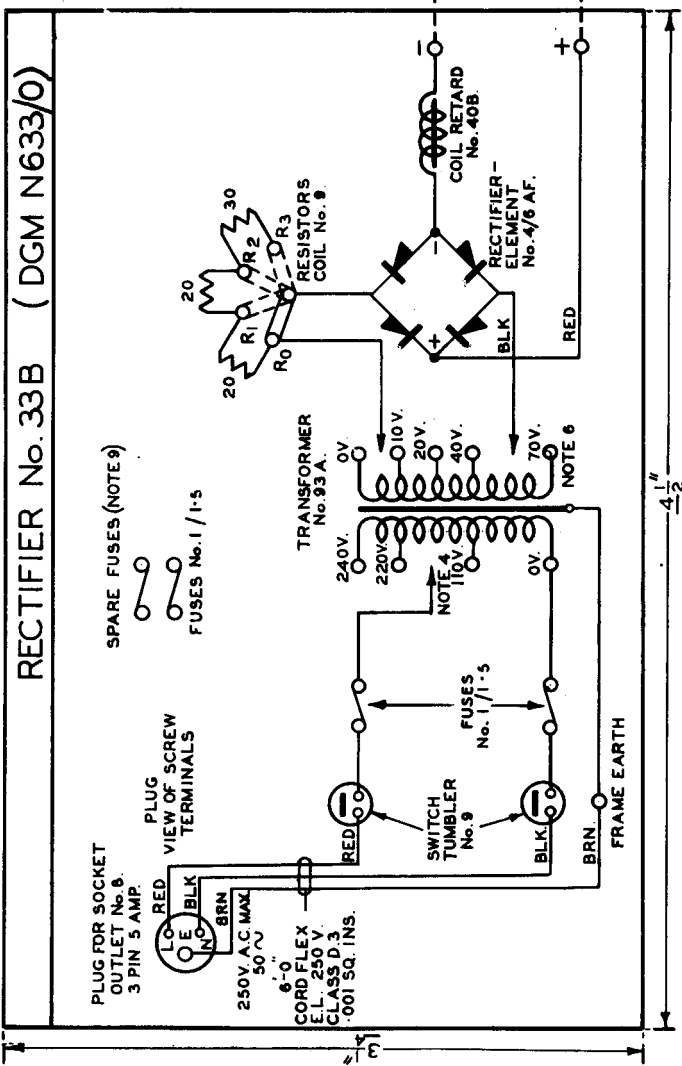
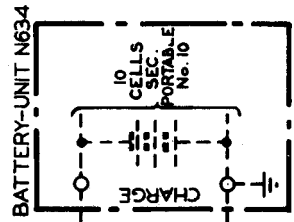
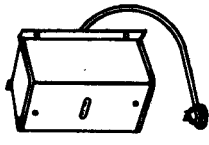


**RECTIFIER No 33 B**  
 USED WITH BATTERY-UNIT N634  
 FOR DAY LOADS UP TO 4 A/H  
 AT 22 VOLTS

**N633/O**  
 PAGE 1-2  
 ISSUE D  
 SUPERSEDES TL 2529  
 FOR NEW WORK  
 SUPERSEDED FOR NEW  
 WORK BY N633/I



LABEL DIAGRAM TO BE TO DIMENSIONS GIVEN

P.O.E.D  
 S BCH.  
 PAPER: -Y  
 CIRCULATION :  
**GENERAL**

**RECTIFIER No 33B (DGM. N 633/O)**

4 1/2"

**NOTES:- INSTALLATION**

1. SUBSCRIBER TO PROVIDE FREE OF CHARGE A 3 PIN 5 AMP B.S SOCKET (SIMILAR TO SOCKET OUTLET No-8) WITH CONTINUOUS MAINS SUPPLY & AN EFFICIENT EARTH CONNECTION.
2. SEPARATION & INSULATION BETWEEN THE SUPPLY SERVICE MAINS & THE P.O. WIRING ON BOTH RECTIFIER & INSTALLATION TO BE IN ACCORDANCE WITH E.I., POWER, GENERAL, S 3211.
3. CONNECT RECTIFIER 33B TO BATTERY-UNIT WITH CABLE I.R.V. CORE T. I.P.R. /40.
4. CHECK INPUT VOLTS TAPPING ON MAINS TRANSFORMER BEFORE INSERTING MAINS PLUG INTO LOCAL POWER SUPPLY.
5. TABLE GIVES RESISTANCE AND VOLTAGE TAPPINGS TO BE USED TO FIX THE CHARGE RATE BETWEEN THE LIMITS OF 20 M.A. & 200 M.A. THE CHARGE RATE REQUIRED SHOULD FIRST BE CALCULATED IN ACCORDANCE WITH E.I., POWER, GENERAL, S 3211.
6. TO AVOID OVERLOADING, THE RECTIFIER ELEMENT THE TRANSFORMER VOLTAGE TAP 0-70 V. MUST NOT BE USED.

**CHARGE CURRENT (VALUES IN M.A.S)**

U LINK RESISTANCE SETTING	60V TAP (70-10)			50V TAP (70-20)		40V TAP (70-40)		30V TAP (70-40) OR (40-10)		APPROX. VALUES TAKEN WITH BATTERY AT 20 VOLTS
	NOTE 7	NOTE 8	NOTE 8	NOTE 8	NOTE 8	NOTE 8	NOTE 8			
R <sub>0</sub>	270	200	115	40						
R <sub>1</sub>	240 NOTE 7	170	95	30						
R <sub>2</sub>	210	150	85	25						
R <sub>3</sub>	175	125	70	20						

7. THE TAPPINGS TO GIVE THESE VALUES ARE ONLY INTENDED FOR OCCASIONAL USE WHEN A REPLISHMENT CHARGE IS REQUIRED.
8. THESE VALUES ARE ONLY OBTAINABLE WHEN RELAY A (DIAGRAM N 634) IS SHUNTED BY 14 OHMS.
9. SPARE FUSES ARE FITTED INSIDE THE RECTIFIER COVER.

D	NEW FORMAT	K. M. A.	9-9-66
C	MADE YELLOW		16-6-65
B	/O & SUPERSESSION NOTE ADDED		9-11-64
ISSUES			18-3-66



RECTIFIER No. 33B MARK 2 (DGM. N633/1)

4 1/2"

NOTES:-

(IN CONJUNCTION WITH BATTERY-UNIT N634)

1. TABLE GIVES RESISTANCE AND VOLTAGE TAPPINGS TO BE USED TO FIX THE CHARGE RATE BETWEEN THE LIMITS OF 30 MA & 200 MA. THE CHARGE RATE REQUIRED SHOULD FIRST BE CALCULATED IN ACCORDANCE WITH E.1., POWER, GENERAL, S 3211.

2. THESE VALUES ARE ONLY OBTAINABLE WHEN RELAY A (DIAGRAM N634) IS SHUNTED BY 14 OHMS.
3. TO AVOID OVERLOADING THE RECTIFIER ELEMENT THE TRANSFORMER VOLTAGE TAPS 10-70V AND 0-60V MUST NOT BE USED.
4. PLUG TO BE REQUISITIONED SEPARATELY TO SUIT SUBSCRIBERS SOCKET-OUTLET.
5. THE PLUG CONNEXIONS MUST BE MADE SO THAT THE 'LIVE' CONDUCTOR IS CONNECTED TO THE INPUT FUSE IN THE RECTIFIER. IF BOTH CONDUCTORS OF THE A.C. MAINS SUPPLY ARE 'LIVE' A SECOND FUSE No. 1/5<sup>2</sup> LOCATED IN FUSE-MTC No. 101A MUST BE CONNECTED LOCALLY IN THE POSITION MARKED X

CHARGE CURRENT. (VALUES IN mA'S)

U LINK RESISTANCE SETTING	50V TAP (70-20)	40V TAP (70-20)	30V TAP (70-20) OR (40-10)	APPROX. VALUES TAKEN WITH BATTERY AT 20 VOLTS & MAINS 5% LOW.
	NOTE: 2			
R <sub>0</sub>	200	115	40	
R <sub>1</sub>	170	95	30	
R <sub>2</sub>	150	85	NOT USED	
R <sub>3</sub>	125	70	NOT USED	

4 1/2"