

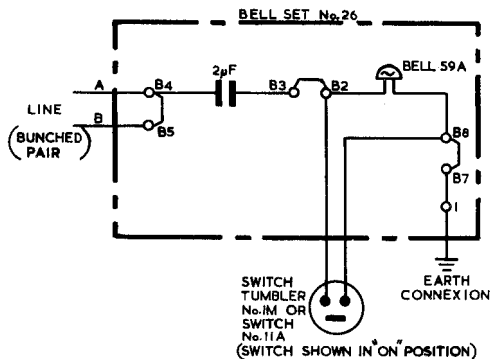
CIRCULATION	SPECIAL
	Suffix
PAPER	R
	Amendt

# HOUSE OF COMMONS DIVISION & COUNTS BELL SYSTEM

PROVISION OF EXTERNAL BELLS. REMOTE FROM THE HOUSE.

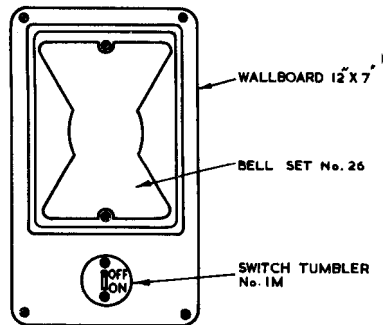
N615  
2 PANELS-1

## CIRCUIT CONNEXIONS



## METHOD 1

APPARATUS:— BELL SET No. 26  
SWITCH TUMBLER 1M  
WALLBOARD 12" X 7"



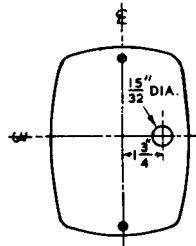
WIRING BETWEEN BELL SET & SWITCH TUMBLER TO BE CONCEALED BEHIND WALLBOARD.

# N615

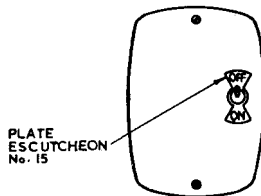
2 PANELS—2

## METHOD 2

APPARATUS:— BELL SET No. 26  
COVER No. 71A (COLOUR)  
SWITCH No. 11A, OR SWITCH SNAP TYPE CD 265  
PLATE ESCUTCHEON No. 15



DRILL  $1\frac{1}{2}$ " DIA. HOLE  
IN COVER No. 71A  
AS SHOWN.



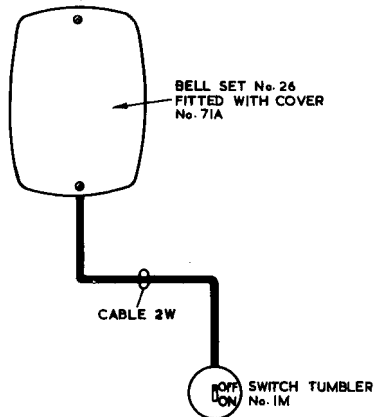
COVER No. 71A WITH  
SWITCH & ESCUTCHEON  
PLATE IN POSITION.

### IMPORTANT

1. MAKE SURE THAT THE WIRES FROM THE SWITCH No. 11A DO NOT FOUL THE BELL MECHANISMS WHEN THE COVER IS IN POSITION.
2. ENSURE THAT ESCUTCHEON PLATE IS FITTED THE CORRECT WAY ROUND; THE SWITCH SHOULD MAKE CONTACT WHEN INDICATING THE "OFF" POSITION.

## METHOD 3

APPARATUS:— BELL SET No. 26  
COVER No. 71A (COLOUR)  
SWITCH TUMBLER No. 1M



### IMPORTANT

1. MAKE SURE THE SWITCH COVER IS INDICATING THE "OFF" POSITION WHEN THE SWITCH IS MAKING CONTACT.