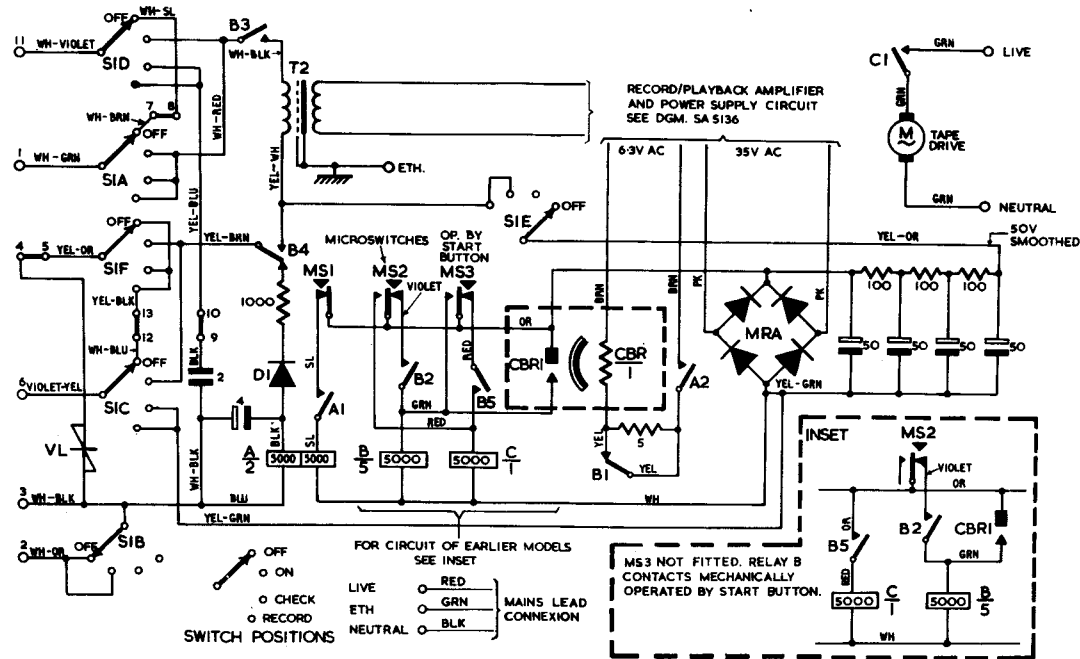


FIG. 1. ANSWERING SET No. 1; TELEPHONE ANSWERING MACHINE
FOR INSTALLATION & EXPLANATORY DIAGRAMS SEE N 4190



P.O. TELECOMMS. HQRS.

PAPER:- W

CIRCULATION: GENERAL

ISSUES			
C	NEW FORMAT, ANSWERING SET Nos. 1A & 2A ADDED.	4.10.68	
B	ANSWERING SET No. 2 ADDED	11-1-65	
A	REDRAWN WAS 2 PANELS	11-6-63	
	J. H. COMBRIDGE	TD1.4.3, SECTION.	22.3.61

FIG.2. ANSWERING SET No.1A/I

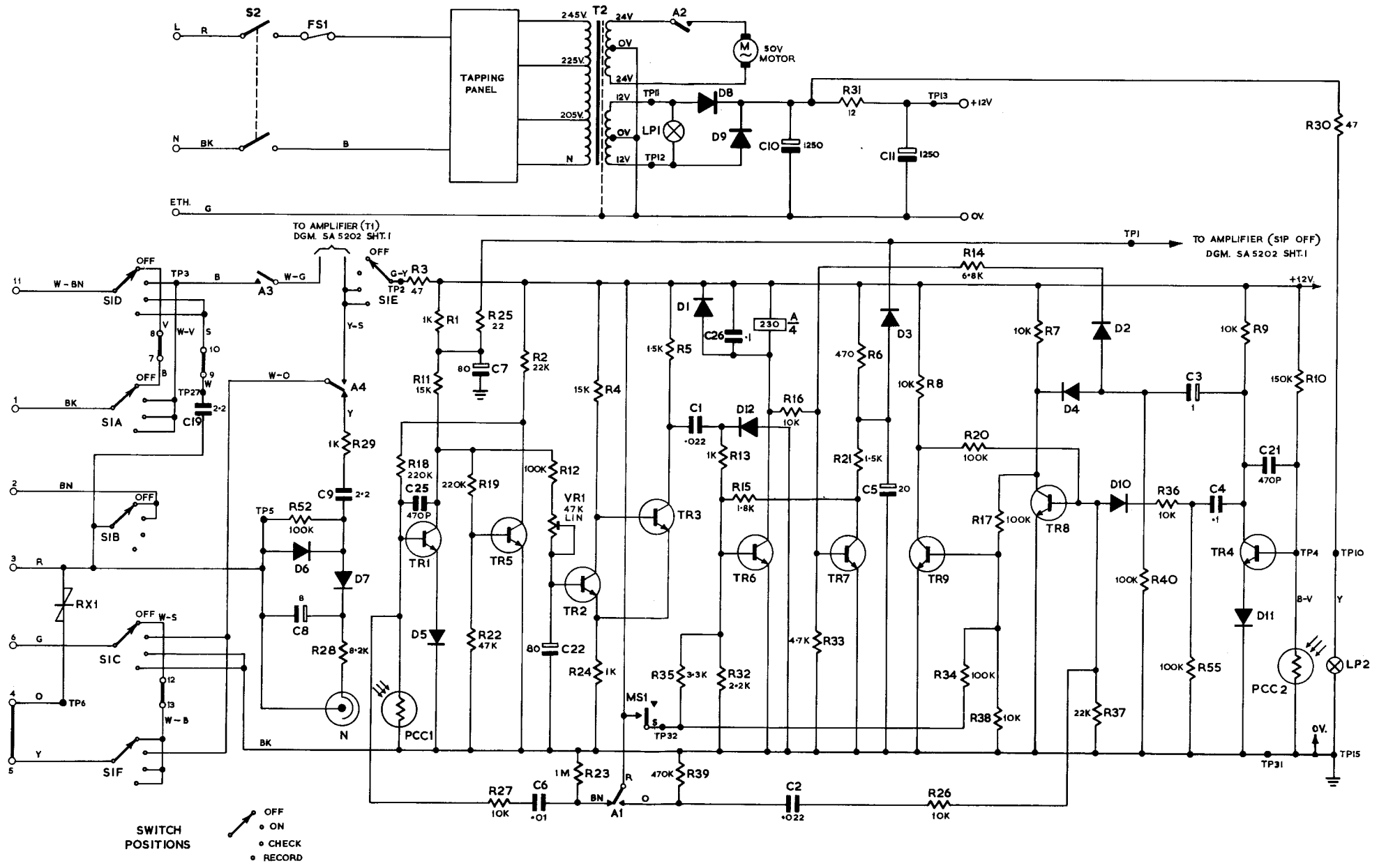


FIG. 3. ANSWERING SET No. IA/2

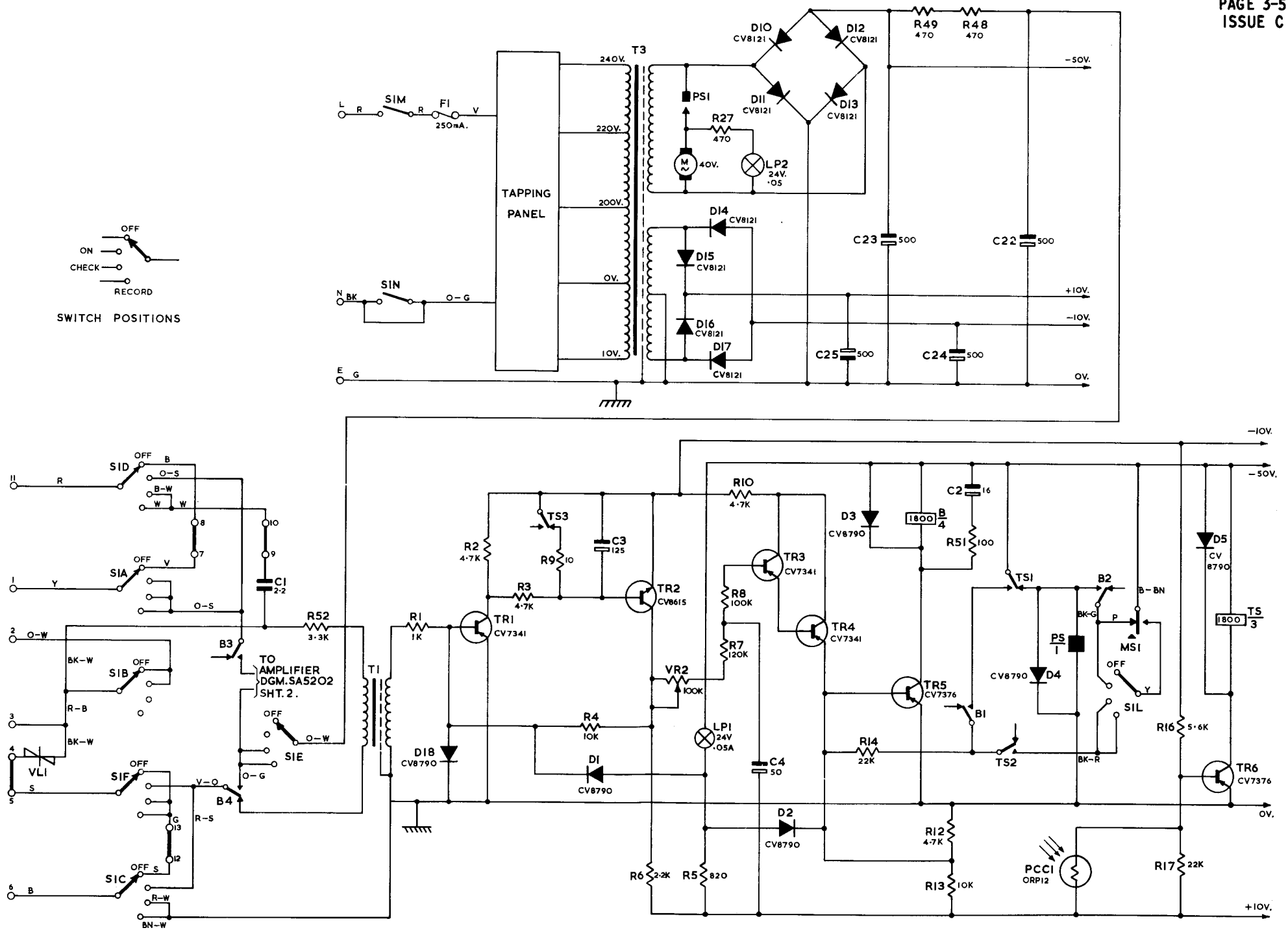


FIG. 4. ANSWERING SET No.2; TELEPHONE ANSWERING MACHINE FOR USE IN AUTO, C.B. & C.B.S. AREAS.
FOR INSTALLATION DIAGRAMS SEE N 4191.

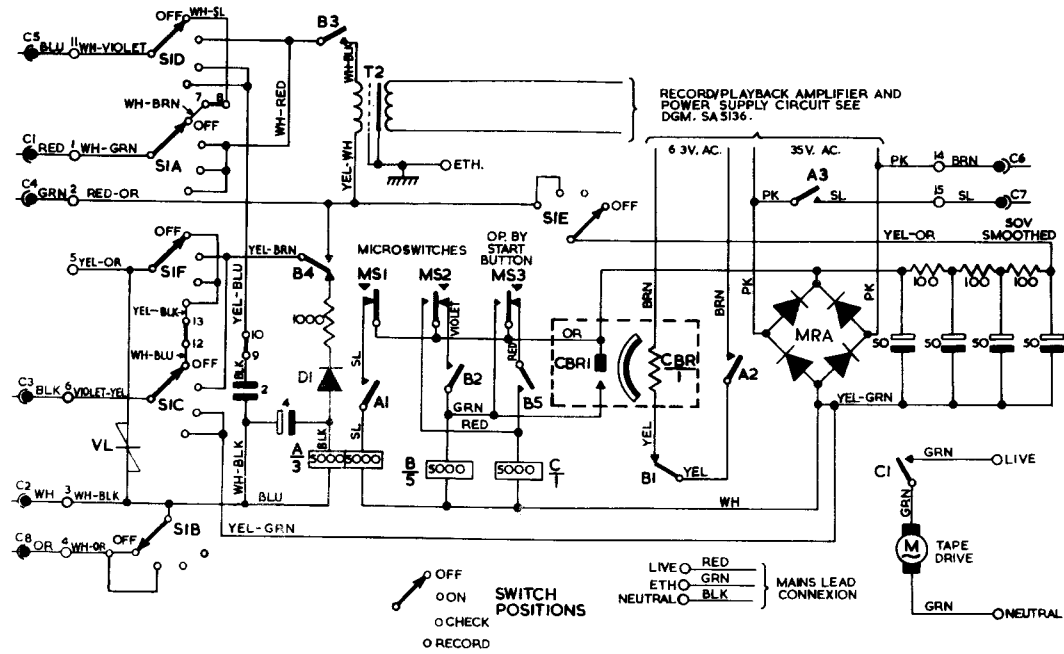


FIG. 5. ANSWERING SET No.2A. TELEPHONE ANSWERING MACHINE FOR USE IN AUTO, C.B. & C.B.S. AREAS
FOR INSTALLATION DIAGRAMS, SEE DGM. N 4191

