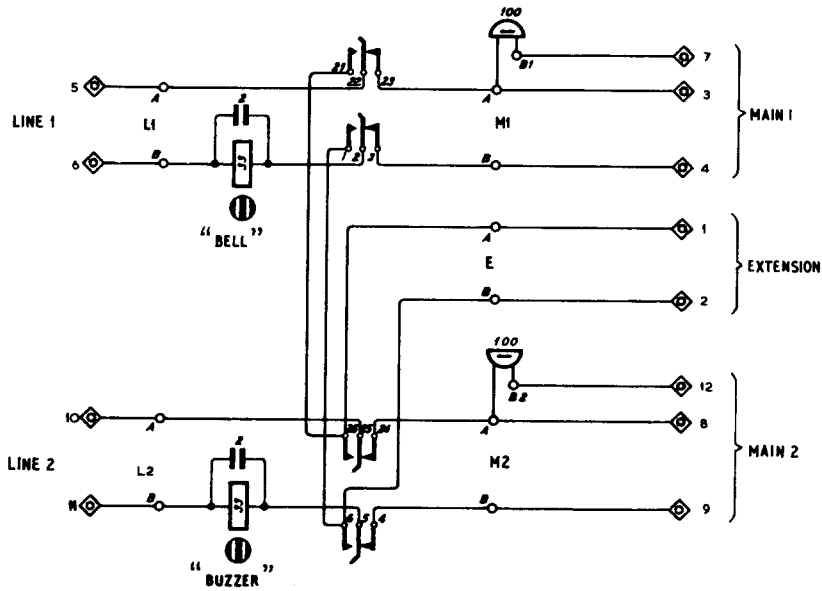
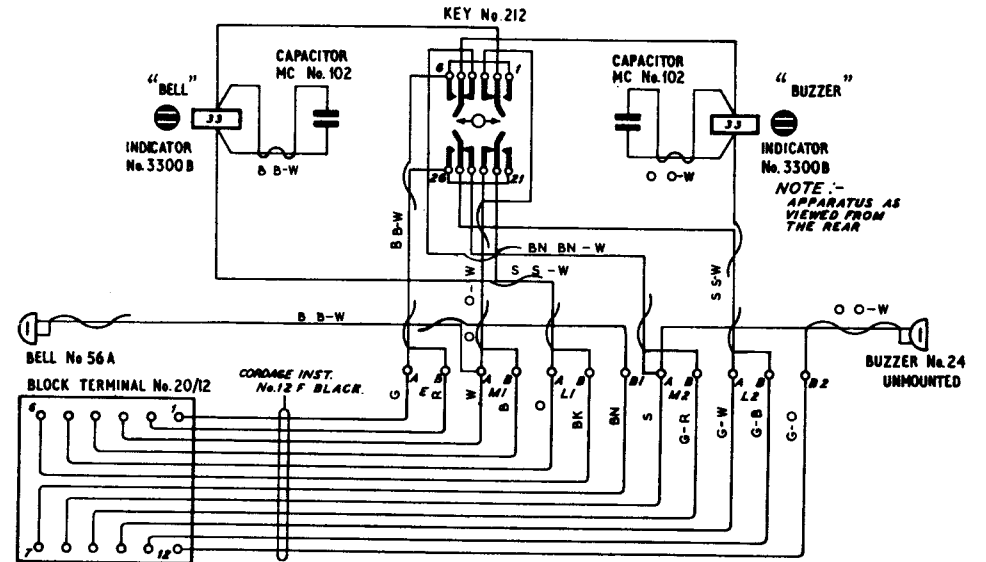


EXPLANATORY



WIRING



Post Office Telecomms. Headquarters Paper :- Y DISTN :- C.B. & AUTO.	ISSUES				
		C	Made yellow	TD 7-1-1	27-9-74
		B	NEW FORMAT.		11-12-68
		A	CORDAGE INST. No. 12. WAS 12G.		30-3-51
			F S R.		30-4-58