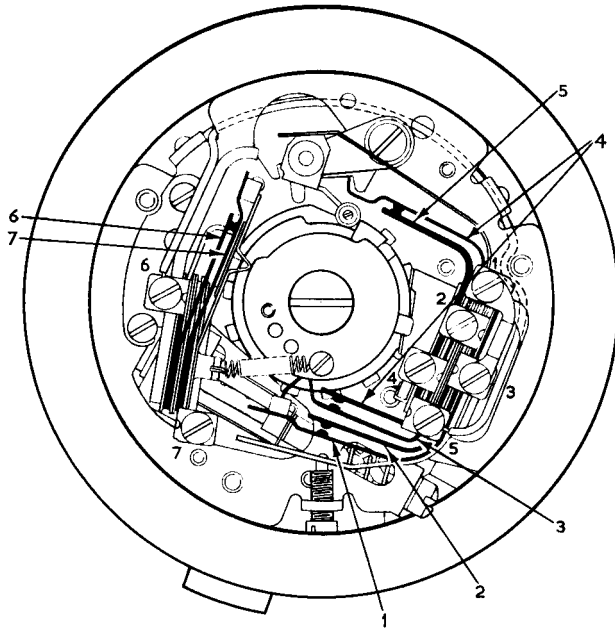
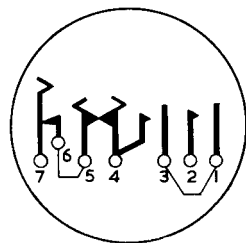


REAR VIEW SHOWING NUMBERING OF CONTACT SPRINGS AND TERMINALS.



NOTES :-

1. Dials Auto No.22. are suitable for use in place of Dials Auto No.13.
2. Supplied with terminals 1&3, 5&6 strapped.



WIRING SYMBOL

P.O.E.D. S BCH. PAPER : W CIRCULATION GENERAL	ISSUES			
		A	New format.	SRL.
	S1/1 F.E.Troke		12-5-64	