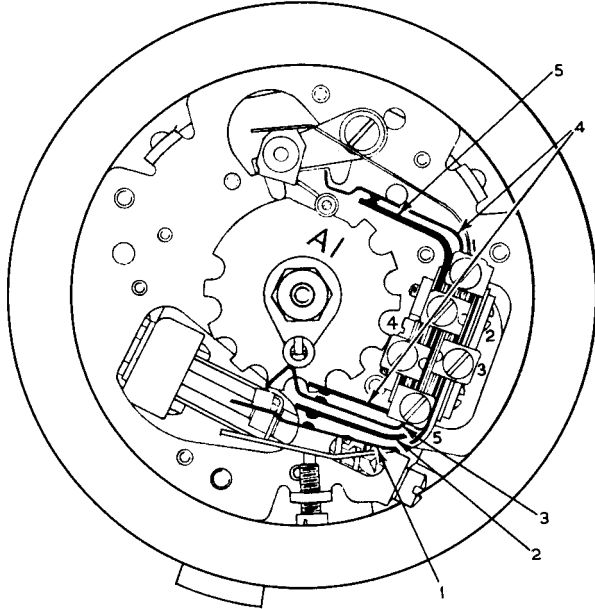
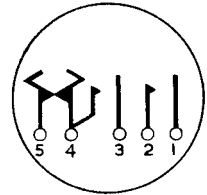


REAR VIEW SHOWING NUMBERING OF CONTACT SPRINGS AND TERMINALS



NOTE :-
Dials Auto No. 21, are suitable for use in
place of Dials Auto No. 10 and Dials Auto No. 12.



WIRING SYMBOL

P.O.E.D. S BCH.	ISSUES			
PAPER : W				
CIRCULATION GENERAL	A	New Format		6-10-67
		F.E. Troke. S1/1		12-5-64