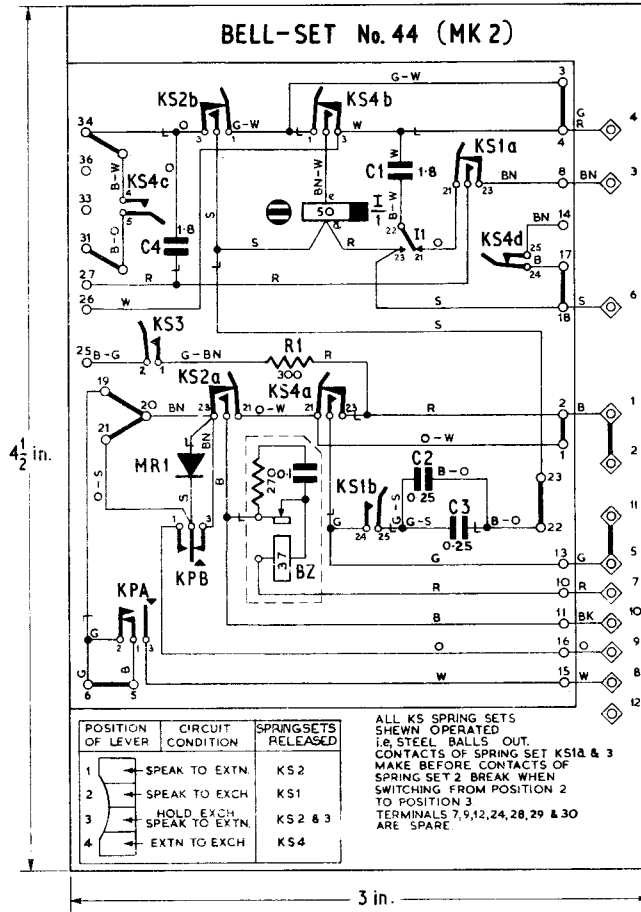
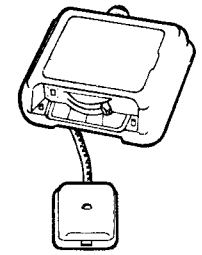
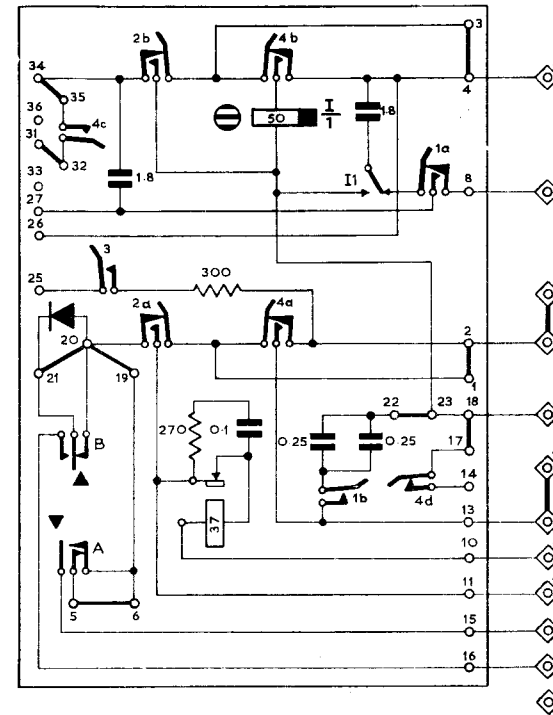


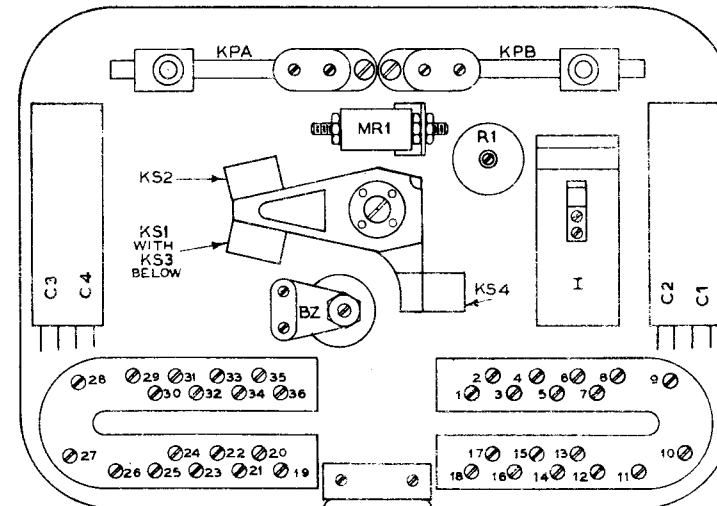
EXPLANATORY



The label diagram to be reduced to dimensions given.



POSITION OF APPARATUS



KEY CONTACT NUMBERING.

23 — 3
22 — 2
21 — 1

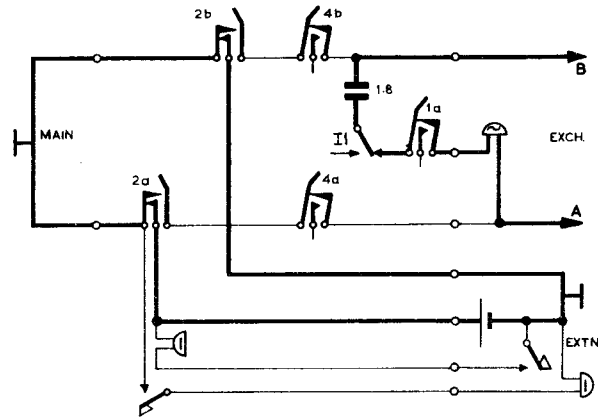
BLOCK

VIEW OF TAGS

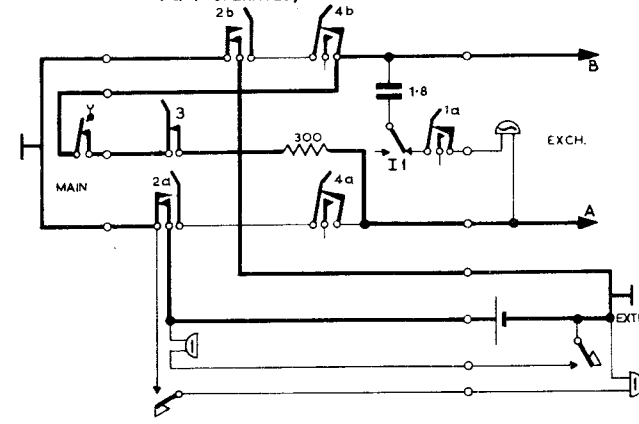
P. O. M. D.			
M. 2. 2. 3.			
PAPER: W			
CIRCULATION	ISSUES		
GENERAL			
B	NEW FORMAT		6 - 3 - 68
A	MINOR CORRECTIONS	K. M. A.	2 - 4 - 59
	J. H. COMBRIDGE	S1/1	4 - 9 - 54

SWITCHING ELEMENTS

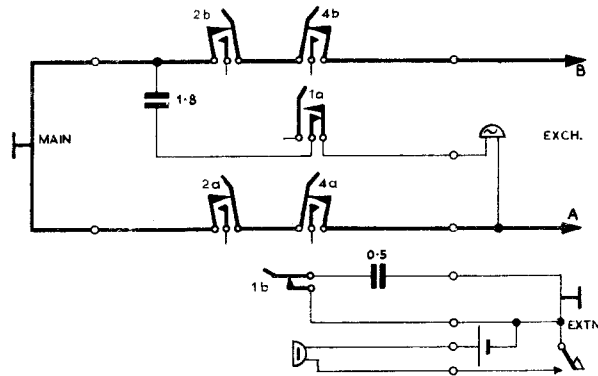
KEY POSITION :- SPEAK TO EXTENSION. SPRING SETS 1,3 & 4 OPERATED & 2 RELEASED



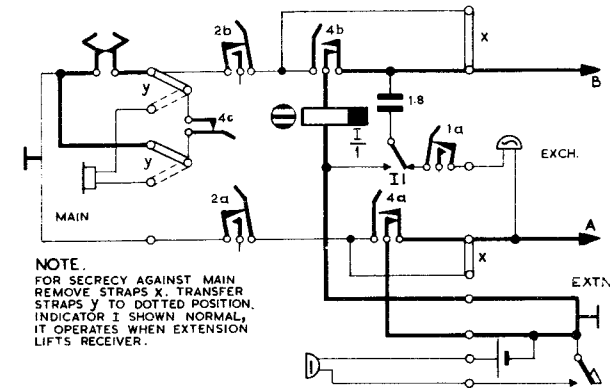
KEY POSITION:- HOLD EXCHANGE. SPEAK TO EXTENSION. SPRING SETS 1 & 4 OPERATED, 2 & 3 RELEASED.



KEY POSITION :- SPEAK TO EXCHANGE. SPRING SETS 2,3 & 4 OPERATED & 1 RELEASED.



KEY POSITION:- EXTENSION TO EXCHANGE. SPRING SETS 1,2 & 3 OPERATED & 4 RELEASED.



NOTE.
FOR SECURITY AGAINST MAIN REMOVE STRAPS X, TRANSFER STRAPS y TO DOTTED POSITION, INDICATOR I SHOWN NORMAL, IT OPERATES WHEN EXTENSION LIFTS RECEIVER.

APPARATUS SCHEDULE		
CODE	ITEM	QTY.
BT	Block, Terminal No.20/12	1
BZ	Buzzer No.30A unmttd.	1
I	Indicator No.4013A	1
KPA	Key No.318A	1
KPB	Key No.318B	1
KSI-4	Key No.317	1
MRI	Rectifier, Element No.1/12A	1
C1-C2	Capacitor, Paper No.7722	2
C3-C4	Capacitor, Paper No.7722	2
RI	Resistor, Coil No.15 300Ω	1
-	Cord, Inst. No.9/19H	1

NOTE:

Bell Set No.44 (MK.1) is fitted with Capacitor Paper No.7707 (2 + 0.5μ F).