

GENERAL

# BELL-SET No. 41.

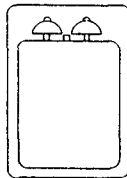
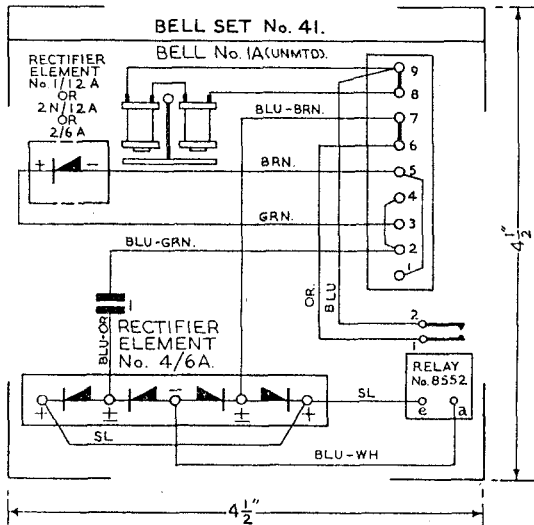
FOR USE WITH TELEPHONE No. 310... ON SHARED SERVICE SEPARATE METERING.

N541  
2 PANELS-1  
10-12-46.

20-10-60 B  
10-6-54 A

MADE YELLOW  
REDRAWN, MADE 2 PANELS.

Y



**NOTE :-**

CERTAIN BELL-SETS HAVE BEEN FITTED WITH A RECTIFIER ELEMENT No. 2N/12A OR No. 2/6A IN LIEU OF THE No. 1/12A.

A FAULTY No. 2/6A SHOULD BE REPLACED BY A No. 1/12A.

IF ONE SECTION OF THE 2N/12A FAILS THE OTHER SECTION SHOULD BE USED BY TRANSFERRING THE BRN. WIRE TO THE OPPOSITE END.

LABEL DIAGRAM TO BE TO DIMENSIONS GIVEN.

N 541  
2 PANELS-2

EXPLANATORY.

