

CIRCULATION

AUTO. & C.B.

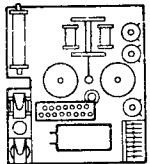
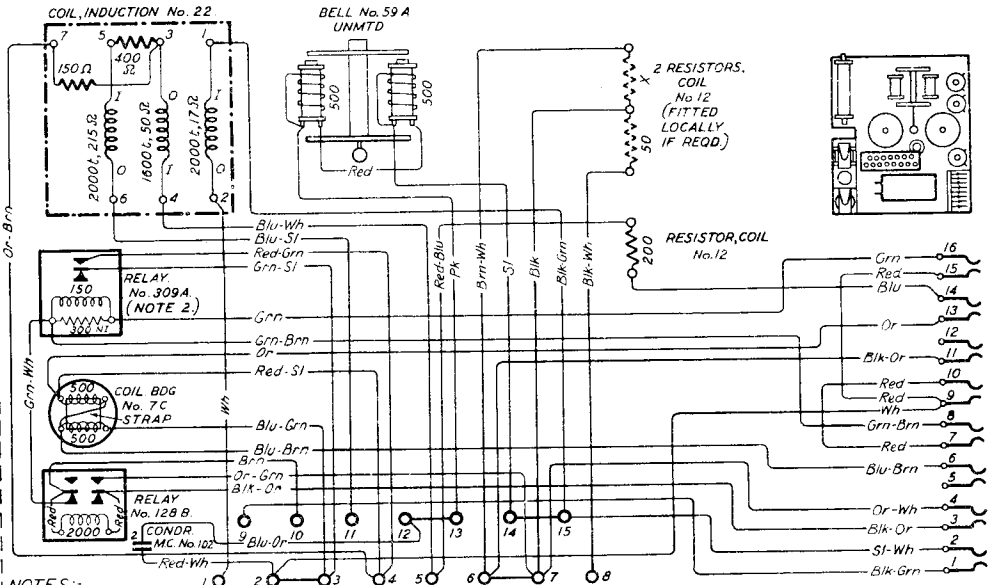
BELL SET No. 35. (MARK 1).

FOR MOUNTING INSIDE BOX, COIN COLLECTING No.14 D COMPLETE OR
BOX, COIN COLLECTING No.14 E COMPLETE
MANUAL C.B. SYSTEM.

N 535 3 PANELS-1
23 12 35.

SUPERSEDED BY N535 PANEL 2
FOR NEW WORK

NOTES ADDED TO NEW PANEL 3. 10656 C
120Ω RESISTOR WAS 200Ω. BRIDGING
COIL WIRING CORRECTED.
MADE 2 PANELS. 18.10.54 B
Note 2 amended & Diagram No. CB 2056 omitted. 28.11.54 A



NOTES:-

1. FOR RELEVANT CALL OFFICE CIRCUIT SEE DIAGRAM CB 1601. (N 2406.)
2. POLARISED. TO OPERATE WHEN NEGATIVE CONNECTED TO TERMINAL No.10 & POSITIVE TO JACK POINT No.16.

Y

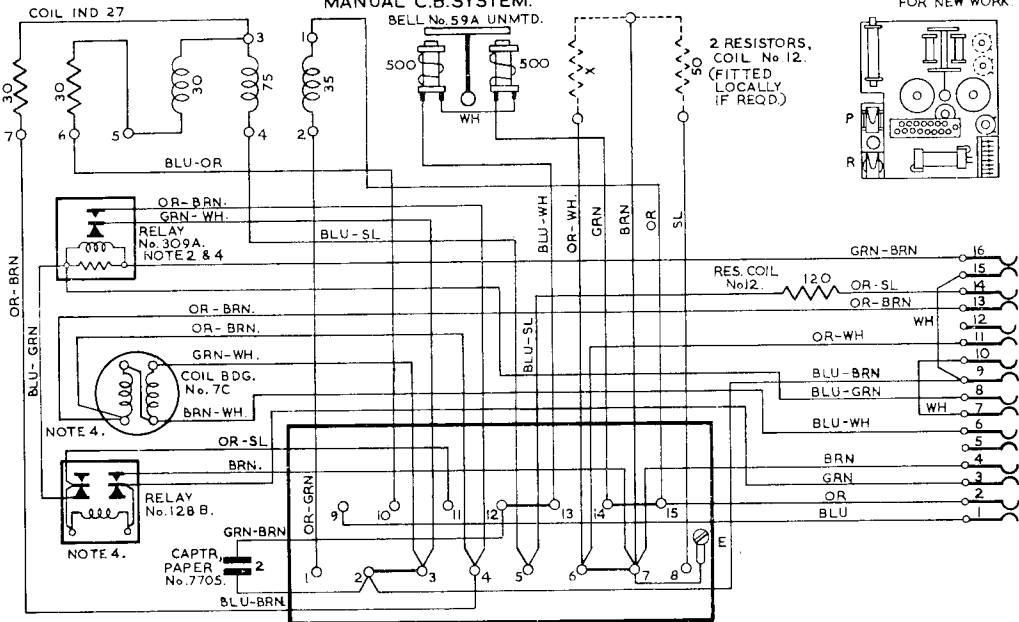
CIRCULATION	CB & AUTO.	
	Suffix	
	C	10556
	B	181034
Amendt.	NOTES ADDED TO NEW PANEL 3. 120-Ω RESISTOR WAS 200-Ω. BRIDGING COIL WIRING CORRECTED. MADE 2 PANELS.	
	NOTE ADDED & DUAL No. CB. 2056 DELETED.	
	NOTE ADDED & DUAL No. CB. 2056 DELETED.	
PAPER	W.	

BELL SET No.35. (MARK 2).

FOR MOUNTING INSIDE BOX, COIN COLLECTING No.14D COMPLETE OR BOX, COIN COLLECTING No.14E COMPLETE MANUAL C.B.SYSTEM.

N 535.
3 PANELS-2.
23-12-35.

SUPERSEDES N535 PANEL1 FOR NEW WORK.



N 535.

3 PANELS-3.

NOTES (MARK 2)

1. FOR RELEVANT CALL OFFICE CIRCUIT SEE DGM. N 2406.
2. POLARIZED. TO OPERATE WHEN NEGATIVE IS CONNECTED TO TERMINAL 11 AND POSITIVE TO JACK POINT 16.
3. IN BELL SETS WIRED TO THE SUFFIX B, THE WIRE ON TERMINAL 8 WAS ORANGE-WHITE AND THE WIRE FROM TERMINAL 6 TO THE RESISTOR COIL WAS SLATE.
4. SHOWS REAR VIEW OF THESE COMPONENTS.