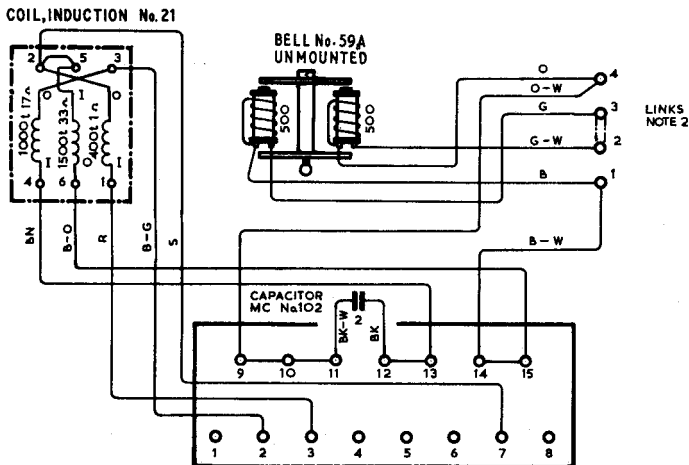
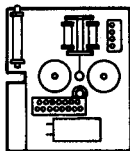


BELL SET No. 34 (MARK 1)
FOR MOUNTING INSIDE BOX, COIN COLLECTING
No. 16 B COMPLETE.
C.B.S. SYSTEMS.

N. 534
PAGE 1-3
ISSUE D

SUPERSEDED BY
N.534 PAGE 3
FOR NEW WORK



NOTES:

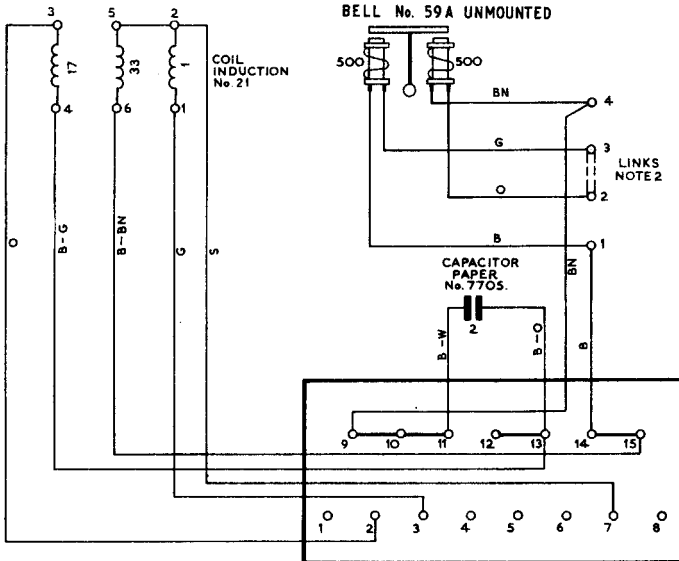
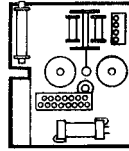
1. For relevant Call Office circuits see CBS No.1 system, diagram CBS 821 (N2410) CBS Nos.2 and 3 systems, diagram CBS 820 (N2409).
2. When used in CBS No.1 areas, the links between bell terminals 2-3 should be removed and reconnected between terminals 1-2 and 3-4 respectively.

P.O.E.D. TD 1.4	ISSUES			
PAPER: Y CIRCULATION GENERAL	ISSUES	D	NEW FORMAT <i>PAR</i>	22 - 1 - 68
		C	BELL LEADS ON PAGE 3 REVERSED	4 - 4 - 56
			E.S.R. S.1.	23 - 12 - 35

N. 534
PAGE 2-3
ISSUE D

BELL SET No. 34 (MARK 2)
FOR MOUNTING INSIDE BOX, COIN COLLECTING
No.16 B COMPLETE.
MAGNETO & CBS SYSTEMS

N. 534
PAGE 3-3
ISSUE D
 SUPERSEDES
 N. 534 PAGE 1
 FOR NEW WORK



NOTES:

1. The relevant Call Office diagram is N2409 (CBS Nos.2 and 3) and N2410 (CBS No.1).
2. When used in CBS No.1 areas, the links between bell terminals 2-3 should be removed and reconnected between terminals 1-2 and 3-4 respectively.

P.O.E.D. TD 1.4 PAPER: W CIRCULATION GENERAL	ISSUES			
		D	NEW FORMAT <i>MR</i>	22 - 1 - 68
		C	BELL LEADS ON PAGE 3 REVERSED	4 - 4 - 56
	E. S. R.	S 1	23 - 12 - 35	